

Nacogdoches Amateur Radio Club

2018 CLUB OFFICERS

Pres: RM Blake - K5AGE

Vice Pres: Jack York - KG5POU

Sec/Treas: Army Curtis - AE5P

Visit our web site at

<http://w5nac.com/>

MISSION STATEMENT

The Mission of the Nacogdoches Amateur Radio Club is to support and promote Amateur Radio by public service, offering training to unlicensed interested parties and licensed Amateurs, mutual support of other Amateurs, engaging events that promote Amateur radio to the general public and other Amateur radio operators, and continuing fellowship by regularly scheduled organized meetings and events and having fun.



NOVEMBER MINUTES

The November meeting of the Nacogdoches Amateur Radio Club (NARC) was held as scheduled on November 7th. President RM K5AGE opened the meeting at 7:00 p.m. in the Lunch Room of Christ Episcopal School. Twelve members were present. Each person present introduced them self. Minutes of the previous meeting were approved as published. The Treasurer's report was read.

Several contests, both recent and upcoming were discussed. The ARRL

Sweepstakes contests and the CQWDX SSB contest were all discussed.

The President's nominating committee gave their report on recommended officers for 2019. For the first time in many years the committee had two recommendations for Vice President. Elections were held with **Jack York KG5POU** elected President, **Bill Rascher KT5TE** elected Vice-President, and **Army Curtis AE5P** elected Secretary/Treasurer. The new officers will begin their new terms at the December meeting.

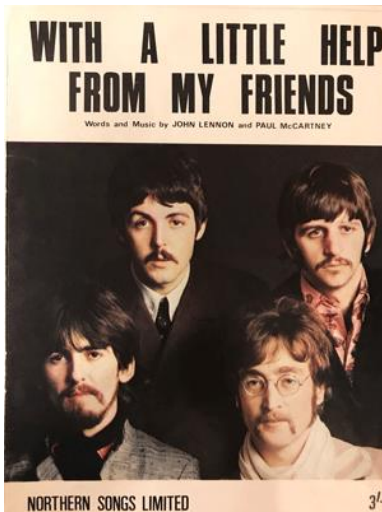
Tom W5TV, mentioned the ARRL semi-annual Frequency Measuring Test scheduled for Thursday evening November 8th local time. This time the test will be held twice, first at

8:00 p.m. and again at 11:00 p.m. to better accommodate listeners on the West Coast. All are invited to participate.

Meeting closed at 7:22 p.m.

Program: RM K5AGE presented an interesting program on the recent controversy involving the FCC notice that Amateur Radio operators should not use certain Chinese radios that are capable of transmitting outside the Amateur Radio bands. This notice is at odds with history and has been protested by ARRL.

FROM THE PRESIDENT



2018 in summary - Far too little ham radio operating from me, but as the Beatles sang in a popular 1967 song - *"I get by with a little help from my friends. I get high with a little help from my friends."* Remember that song?

Get high you say? Let me explain. Andy KE5EXX and I climbed several towers in the name of ham radio this past year, so you could say were indeed at great "height". I am going to take a wild guess here and say that this is probably is not what the Beatles were

singing about in 1967. In summary, I did find working on radio towers to be as just as rewarding as operating radio.

I want to say thank you to Andy for the opportunity to climb, the guidance he provided, the patience to work with the inexperienced such as I, and most importantly, keeping safety #1 priority. None of this would have been possible without Andy, or this great club, W5NAC. For without this club, none of the friendships or the great experiences of this year would have happened. Thank you to all in this club.

73 de RM Blake K5AGE
k5age@fastmail.com

FROM THE VP CHAIR

80 M ANTENNA PART TWO

Well, I got set up for the lunar moon shot over the pine tree on Thanksgiving day. I then followed my protocols:

Launch pad. check. Wire lead to motors. check. Leash for Luke to keep him away from the rocket. check. Battery ... fully charged. check.

Wifey: Honey !!!!

Me: mumbling...Now what...

Wifey: Time to eat! What are you doing??

Me: Setting up.

Wifey: Do you need a permit or something??

Me: Nope. I already have a HAM license and I am sure this is covered. You know I have my EXTRA right?!

Wifey: AHEM.... (Wife stare with the dare do or die)

Me: Grrr. Alright I will stop and eat first.

As I reflect on the traditional home feast where I survived the gourmandized glee, I thought about the many things to be thankful for in my life. One of which is having a great group of gentlemen who have developed a superb camaraderie. The bantering back and forth elevates everyone's didactic demonstration of ham radio and other worldly knowledge. Seeing this reminds me of an old television series with Tim Allen where ham radio was introduced to the general public in a comedic setting with information about being a ham radio operator. The script goes as follows:

Savoring my "Ham"

Setting: Basement which is a ham shack.

Time: Thanksgiving after the feast

Scene: Little boy comes downstairs to visit grandpa to get help with report.

Boy: Whatcha doin' grandpa?

Grandpa: I'm actually down in the basement watching a football game on a radio.

Boy: After you are through can you help me with my Thanksgiving report?

Grandpa: Sure, hey come on over here, I wanna show you something.

(Little boy gets on lap. Grandpa gets on radio mic.)

Grandpa: Mike KAOXTT Just a little shout out anybody having a good time this Thanksgiving?

(Nothing but Static and laughter from audience)

Grandpa: Anybody hiding in their basement to avoid their relatives?

(Radio explodes with hams stepping on each other.)

Grandpa: And if I don't want to listen to these guys I just turn it down like this.

(Turns down volume.)

Boy: Hurry, this is due on Monday.

Grandpa: All right, calm down. Ah, What am I thankful for. I am thankful for radio specifically ham radio. Ham radio is heavily regulated by the FCC. The same people who censor network television but not cable so therefore drug dealers and murderers become our heroes. They not only censor but they regulate my ham radio and they require me to have a license, test, and if they don't like what I say they can fine me or lock me up. What a great way to treat the last line of communication during the coming apocalypse. Why does the government choose to regulate free speech in ham radio but anybody can operate oh... I don't know... a hemp outlet. So this Thanksgiving while the rest of you are enjoying

turkey, I am savoring my "ham." So, Happy Thanksgiving FCC because I know you are listening.

Boy: I should have just done a book report.

... End Scene

<https://www.youtube.com/watch?v=BcxqNEBmNno>

"Last Man Standing Thanksgiving Episode Clip (Ham Radio)" on youtube

And now I have to pause and do the lunar shot in next month's newsletter.

73 de Jack York

KG5POU

gtjakco@yahoo.com

NOTES FROM OUR EC

The 2018 Hurricane season is done. I won't go into the seasonal stats. There are plenty of places on the web to get the final data.

November has been wet, but gee, it's that time for more rain and wow we've had some cool days. I hope your antennas, generators, radios, etc. are all ready for winter.

I hope everyone had a great Thanksgiving with family and friends.

How many waved goodbye to your credit card, your bank account or your piggy bank from Black Friday, Small Business Saturday, and Cyber Monday? Not to mention Giving Tuesday.

Have to come up with a name for the Wednesday after Thanksgiving. One vendor just called it something like Black Week; you know the week following Thanksgiving. Did

you save any money? I hope you did because...

You do know what's next. Nope it's not an EC thing. Next Wednesday, 5 December is the club's annual potluck and White Elephant event. Please come and share a festive evening. Bid on goodies and share the evening. Sometimes you will find goodies, some are just great gags. The food is always good and the company great. Please plan on being there, if for nothing more than to share the evening and to remember the season we are embarking upon.

Remember to check into our weekly nets for ARES and SKYWARN.

ARL SIXTY ONE X

73 de John Chapman
KC5MIB
kc5mib@arrl.net

VE TESTING

Our next VE testing is scheduled for **Wednesday December 19 at 7:00 p.m.** in the Lunch Room of Christ Episcopal School (Our usual meeting place).

Applicants should bring a picture ID, the original and a copy of their current Amateur license, the original of any CSCE's and \$15 to cover the cost of the exam(s). Correct change is always very much appreciated.

73 de AE5P

email: ae5p@arrl.net

NEW HAMS

We had just one candidate for our VE test session in November. Paris Stokes from Vicksburg, MS is now KI5CKU. Congratulations to him on this first step in Amateur Radio.

TWO METER CLUB NETS

Remember to join us each week for the two meter nets sponsored by NARC. Each **MONDAY** is the **NARC ARES/RACES** net, at 8:00 p.m. on the club's 146.84 repeater (PL 141.3). Second, on **THURSDAY** evenings at 8:00 p.m. is the **Deep East Texas Skywarn Emergency Weather Net** on the 147.32 repeater (PL 141.3). Please join us for one or both.

NEXT MEETING

The next meeting will be **Wednesday January 2nd at 7:00 p.m.** in the Lunch Room of Christ Episcopal School (Our usual meeting place).

DECEMBER MEETING, CHRISTMAS PARTY AND WHITE ELEPHANT AUCTION

December means not only our NARC monthly meeting, but also our Christmas Party and White Elephant Auction.

All of this will be held on Wednesday **December 5th** beginning at **6:00** in the Christ Episcopal School Lunch Room (our usual meeting place). Dinner is pot luck with the club furnishing drinks and paper goods. After a very short meeting, we will hold our popular White Elephant Auction with all proceeds benefitting the club. Bring a White Elephant gift, wrapped or not, and ideally accompanied by a note giving a clue as to what it is.

The auction is always the most fun when lots of

folks are bidding on the goodies, which can be ham radio, electronics, computer related, or "something completely different" as Monty Python used to say. There are always several wrapped gifts especially intended for the ladies that you don't want to miss.

The entire family is invited and most welcome to attend. Plan now to join us for a fun evening.

UPCOMING EVENTS OF NOTE

Mark your calendars for the following events coming up in the next few months. Full information on these events and much more can be found at <http://www.contestcalendar.com/contestcal.html>

Items in RED are NARC Club Events

ARRL 10 Meter

Contest

Dec 8-9

Solid State Devices - Part 2

by
Thomas Atchison, W5TV

In 1947 three scientists at Bell Telephone Laboratory were experimenting with semiconductor material and they made a remarkable discovery that became the basis for solid state electronics. These scientists placed a thin layer of N-type material between two layers of P-type material as shown in Fig. 1. (I will come back to discuss the words Emitter, Collector, and Base later.)

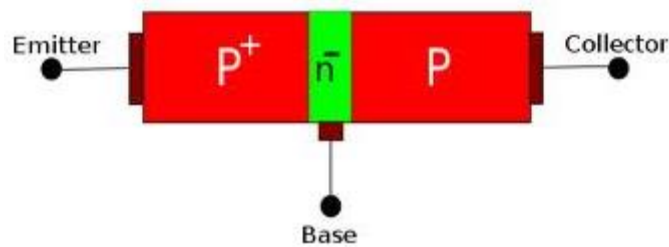


Fig. 1

Notice that we could think of this configuration as two PN-diodes that are joined at the N-type material as shown in Fig. 2.

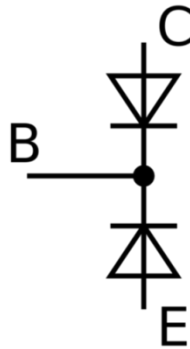


Fig. 2

If we place a forward bias across the Emitter-Base junction and a reverse bias across the Collector-Base junction we discover an unusual occurrence. In this case, increasing the current in the Emitter-Base junction causes an increase in the current at the Collector-Base junction and decreasing the current in the Emitter-Base junction causes a decrease in the current at the Collector-Base junction. This is called the **Transistor**

Effect. Current in the forward-biased diode is transferred across the resistance of the reverse-biased diode. (Fig. 3)

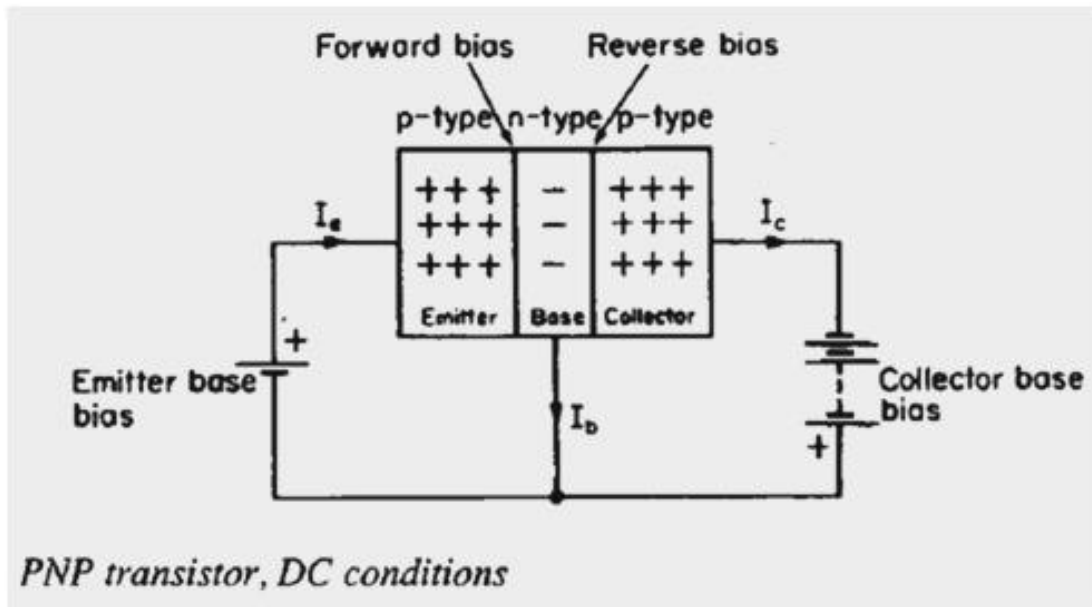


Fig. 3

The result is called a **PNP transistor** because it involves two P-type materials with an N-type material sandwiched between them.

Briefly, Fig. 3 shows free electrons in the N-type material and holes in the P-type material. Holes in the forward-biased P material move toward the negative voltage polarity on the N material. The voltage pulling on the holes speed them up so they move through the thin layer of N material without combining with any free electrons there. The holes enter the second layer of P material and the negative voltage on that material pulls the holes all the way through the second layer of P material. The first layer of P material is the **emitter** because it puts current into the transistor (emits current). The second layer of P material is called the **collector** because it collects the holes that move through the N material. The N material is referred to as the **base**.

The schematic symbol for a PNP transistor is shown on the left side of Fig. 4.

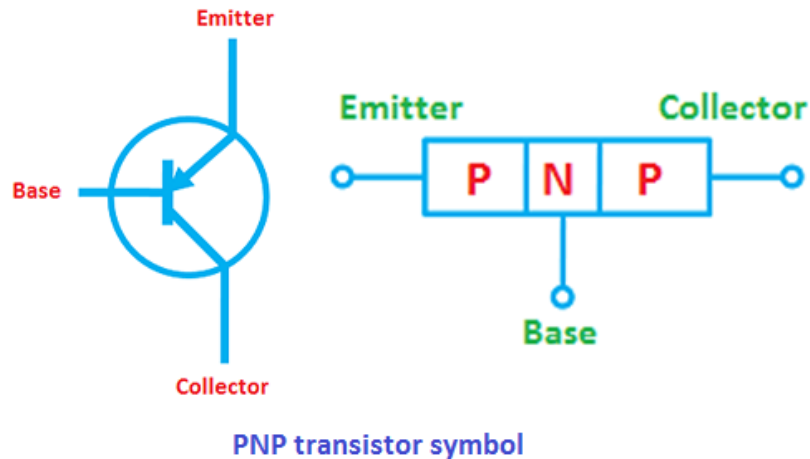


Fig. 4

One way of remembering this symbol is to remember that PNP can stand for ‘**P**ointing **iN** **P**roudly’. This refers to the small arrow from the emitter to the base.

The scientists at Bell Labs who discovered the ‘transistor effect’ were William Shockley, John Bardeen and Walter Brattain. They were awarded the Nobel Prize in Physics in 1956 for this discovery.

Now consider the question, can we do the same sort of thing with an NPN sandwich? We will consider that in the next installment. We also need to examine a few things we can do with transistors.

MY TWO CENTS

FOX WILLY ROGER

DECEMBER 2018

Well I DIDN'T receive any birthday gifts, an oversight on your part I am sure.

How did every one do on the TQSO party, you did get outside Nacogdoches, didn't you? December is next meeting month and with that comes the Xmas potluck White Elephant and great company.

I bet that it was not noticed that FOX WILLY ROGER and JACK TALDI wasn't in November's newsletter. The reason being the editor and chief of the NL asked that I not publish my column. It seems that the E&C was going to use that month to poll the members and the results would be in this NL, if there weren't a recount. How did the Halloween costume contest turn out this year? The theme was "come dressed as your favorite sandwich, and sides that go with that sandwich. AE5P will give an update and present the prize.

Jack has a load to say, but I think he and TWT had a few drinks too many. TWT and Jack have getting to be quite good friends of late, so I don't have the foggiest idea what they have come up with.

QUESTION:

Why is it the flashlight is brighter when the room is darker?

Why is it that storms aren't named after animals?

If a computer-controlled auto is in an accident, does the computer get the ticket?

REMEMBER:

Remember candy bars wrapped in foil then in paper?

Remember hat clips on the back of pews in churches?

Remember a Sunday afternoon on the porch swing?

COMENTARY:**What the hell is going on?**

There is so much going on around us that I don't know where to start. Wild fires in the West, seems like the fires have been burning for years. Shootings at many different locations, schools, churches, any and everywhere people gather. It seems that the people are out to destroy this planet, the great things that man and nature have done doesn't matter to some. When a company is charged with damaging the environment, the government slaps their wrist and that's the end of it, no follow up or forcing a cleanup, or a change in operation. It seems like if you are rich the chances are nothing or little will be done to them.

I have many questions, like most of you, but little answers, so now where does that leave the planet and us?

GUEST COLUMNIST**JACK TALDI****THE CRAZY CAT GUY:**

Did you ever get the feeling that you were being watched? **TB** was doing her night thing, let me fill in the blanks, it was night and a little darker than usual, I have a habit of looking out my bedroom window ever since **TB** found out that she could go in or out just like a door. Let me get back to what I was saying, the look back over my shoulder was telling me nothing but that is was a black night. Finely the nagging got the better of me, I picked up my flashlight and proceeded to check the window out give me a rest from the feeling of being watched, sure enough I came across a pair of eyes and a set of teeth looking back at me. For a bit I thought I might have a vampire trying to enter the room, a black cat and a very dark night lends itself to Transylvania. I got a new bed from the VA and the head and foot boards are made to slip over the bed frames, now

these are slick as plastic will be and now that **TB** has made the window the main i/o ways she likes to travel. If you remember, **TB** does not like her feet to touch the floor, and so she jumps from the window to the foot of the bed and to the floor to the next elevated item, the only thing is that the footboard is plastic and slick. So I sit and watch as she jumps and slides across the footboard and is launched onto the floor, somewhat like off the deck of an aircraft carrier.

This is how a day goes around my QTH, **TB** still wants to be in the wild, as long the conditions are to her satisfaction, these are, if it's raining she stays inside, if outside she stays hidden until it stops and then it's into the house. When the conditions are nice outside, no rain, and it's outside to face the wild until the morning comes and its time for house life, first in line is eating a full can and some of **TG** food next is sleep. It looks like **TB** doesn't sleep when she is outside, but when inside, sleep time, and that's all day. The procedure is repeated the next evening.

RP is a whole different story, for a while, **RP** would do the things that **TB** was doing on a daily bases, going outside for hours at a time, if the conditions were right, no rain, no standing water, not too much wind, she is a fair weather cat. This went on for about a month or so, when like a light switch was thrown, now it's sometimes only a few minutes. **RP** now jumps up on the table for some attention and cat treats. She even tried to sleep next to me, photo attached, as for the rest of the time its same old, same old.

"The pride is still three members strong with **Tuff Guy**, the friendly visitor, at least to me, my first chore is to feed the animals, and **TG** is waiting for me and sits and talks to me while dishing out his food. It's a long way from when he first started dining at my QTH.

Heckle and Jackal is still visiting, now and then. The Hummingbirds have moved on but the everyday birds are still with us.

**DOGS HAVE MASTERS
CATS HAVE SERVANTS**

"THOUSANDS OF YEARS AGO CATS WERE WORSHIPED AS GODS

THEY HAVE NEVER FORGOTTEN"

BE THE KIND OF WOMAN/MAN THAT WHEN YOUR FEET HIT THE GROUND EACH MORNING THE DEVIL SAYS, "OH CRAP, THEY'RE UP"!

LIVE WELL, LAUGH OFTEN, LOVE MUCH!!!

KEEP YOUR POWER DRY AND YOUR HEAD BELOW THE HORIZON

HAPPY TRAILS

John Cechin W5FWR

Carrots4ever2@gmail.com

