

Nacogdoches Amateur Radio Club

2017 CLUB OFFICERS

Pres: John Cechin - W5FWR

Vice Pres: RM Blake - K5AGE

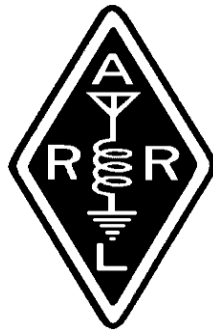
Sec/Treas: Army Curtis - AE5P

Visit our web site at

<http://w5nac.com/>

MISSION STATEMENT

The Mission of the Nacogdoches Amateur Radio Club is to support and promote Amateur Radio by public service, offering training to unlicensed interested parties and licensed Amateurs, mutual support of other Amateurs, engaging events that promote Amateur radio to the general public and other Amateur radio operators, and continuing fellowship by regularly scheduled organized meetings and events and having fun.



MAY MINUTES

The May meeting of the Nacogdoches Amateur Radio Club (NARC) was held as scheduled on May 3rd. **President John W5FWR** opened the meeting at 7:00 p.m. in the Parish Hall of Christ Episcopal Church. Seventeen members were present. Each person present introduced them self. Minutes of the previous meeting were approved as published. The Treasurer's report was read.

San Jacinto Day SES:
Army AE5P gave a report on the San Jacinto Day

Special Event Station operation held between April 21 - 23 using the special call sign **K5T**. Members participating from their home stations included **Bob K5ME**, **Ralph WD5RAH**, **Roger KOYY**, **Ray W5NRH**, and **Army AE5P**. See last month's newsletter for a complete report.

Army AE5P gave a report on the Phone Fray minicontest held each Tuesday evening from 9:30 until 10:00; just 30 minutes. Rules pretty well mirror the popular NAQP contests held several times each year.

The June VHF Contest is scheduled for June 10 - 11. Seven members have currently signed up to operate as rovers for the contest, with plans to hit eight grid squares over the

course of two days. Operation will be limited to 50 - 432 MHz.

Field Day: Field Day is scheduled for June 24 - 25. Plans are to operate from the City/County Mobile Command Post trailer at the airport much as we did last year. **RM K5AGE** volunteered to act as chairman for the event. Everyone is invited to attend and to participate.

Meeting closed at 7:48 p.m.

Program: **Army AE5P** presented a program on using the MFJ 259/269 Antenna Analyzer to measure coax loss.

MY 2 CENTS FOX WILLY ROGER

June 2017

JUNE 2017, this month has a lot going on, some of which are Field Day, VHF roving event, and the ham fest to name a few, I'm sure that AE5P will have more events to report on. Field Day will need a lot of help, putting up and taking down as well operating, in the past part A and part C was a snap, the hard part is, part B, operating. A few have taken the responsibility of this part B for FD. If you are not going to participate in all three parts, why did you become a ham? This is a major part of being a ham, think about it, and think about it again. The VHF roving has been a lot of fun for me in the past, try it you may like it. The ham fest is something to be experienced, if you haven't been or haven't been in a few years, try it again; you might be surprised and like it.

The word has come down, my treatment hours have changed due to remodeling the treatment area and the staff has set up three shifts, my turn is 1600 to 2000 hours. This will be an estimated six weeks or so. That's at least two meetings that you will have to do without me.

Question:

Who invented DVD's and CD's?

Who invented and why, the EDSEL?

Who invented the auto starter?

The word tree is still slow; all I can do is wait for better times.

REMEMBER:

Wax paper wrapped Bread?

Fishing hooks without eyelets?

Cloth fishing line?

Metal fishing poles?

THE CRAZY CAT GUY:

The growling and stick beating isn't working anymore, so all I do now is yell at them that lasts about 1ns. I will have to work on something

different; I even came up with putting up a screen door at the end of the hall?

The outside cats have delivered, about a month ago, to me my next generation of outside cats, at first count it was eleven, today at chow time only nine showed up, I think. Another set of twins, or two, the first is a copy of the Brothers Clouds and the next are a set of black fuzzy, and a Grey, and the third I'm not sure because they don't slow down much. I have noticed that a set of kittens are smaller than the rest, these must have been born a week or so after the first group. Some of the group come running to the door at chow time, and take a feeding dish and stand their ground and eat. Tigger Boy is still gone; I hope he found a good home. The cloud brothers have grown more and play as much as they used to. I seem to have a stay at home outside cat, Grey Cloud, and wants attention and I think he wants to be

a house cat, his brother, White Cloud, eats and disappears until whenever he's hungry again. Lou is the same way; I never know when he will show up. The roving range for the Brothers Cloud seem to be one house and yard in all directions

"THOUSANDS OF YEARS AGO CATS WERE WORSHIPED AS GODS. THEY HAVE NEVER FORGOTTEN"

Spaces for rent, contact W5FWR for information.

LIVE WELL, LAUGH OFTEN, LOVE MUCH!!!

Let me know what you think, only if it's positive.

**KEEP YOUR POWER DRY AND YOUR HEAD BELOW THE HORIZON.
HAPPY TRAILS**

John Cechin W5FWR
Carrots4ever2@gmail.com

FROM THE VICE PRESIDENT



I hope everyone is looking forward to field day. At the very least, the food situation looks promising! Andy is taking care of dinner and I will be serving breakfast without any need for fire extinguishers on hand. In fact, that happens to the motto of my catering business: "We leave the fire extinguishers at home".

All joking aside, let me hit you fine fellows with a PSA. I want to put you all onto a new fire extinguisher. One not so bulky and cumbersome that it stays inside a box for 6 years. This particular unit is as handy as bug spray. (Don't try spraying that on a fire)

The extinguisher is sold on Amazon and also Walmart. I have used this before on an outdoor grease fire and was super impressed with the lack of mess. What is this extinguisher called? It is the "First Alert TUNDRA" in an aerosol can! I have practiced with it more and found that it is quite handy, WAY less messy, and easy to use in stressful situations.



73 de RM Blake K5AGE
k5age@fastmail.com

NOTES FROM OUR EC

Wow, what a wet month we've had. Even though we are in a new month, we aren't quite done yet. The rain gauge here at the plant showed a bit over 10 inches for the month. The next few days have some percentage of rain every day. Keep your rain gear handy.

The rain has already taken a casualty. The Neches River Rendezvous has been cancelled. The river was up too high. The previously mentioned forecast would keep the level up. Bad luck, guys.

Again hurricane season will soon be upon us. June 1st until November 30th. The National Hurricane Center is forecasting for the 2017 season 11 -17 named storms, 5-9 hurricanes (Category 1 or 2) and 2-4 major hurricanes (Category 3, 4 or 5). There is already been 1 named storm, Arlen, back in April. Have you got

those wire antennas secured?

June is also Field Day. 24 and 25 June at A.L. Mangham airport here in Nacogdoches. Please, please come out. If you wish to help with the antenna setup, please bring gloves and a safety helmet. We do have some available. A bonk on the head is no fun. And I hate doing the paperwork.

A short one for this month, almost of a rehash of last month but that is the nature of the season.

73 de John Chapman
 KC5MIB
jlchapman2@juno.com

VE TESTING

Our next VE testing is scheduled for **Wednesday June 21 at 7:00 p.m.** in the Parish Hall of Christ Episcopal Church.

Applicants should bring a picture ID, the original

and a copy of their current Amateur license, the original of any CSCE's and \$15 to cover the cost of the exam(s). Correct change is always very much appreciated. 73 de AE5P
email: ae5p@arrl.net

TWO METER CLUB NETS

Remember to join us each week for the two meter nets sponsored by NARC. Each **MONDAY** is the **NARC ARES/RACES** net, at 8:00 p.m. on the club's 146.84 repeater (PL 141.3). Second, on **THURSDAY** evenings at 8:00 p.m. is the **Deep East Texas Skywarn Emergency Weather Net** on the 147.32 repeater (PL 141.3). Please join us for one or both.

NEXT MEETING

The next meeting will be **Wednesday June 7th at 7:00 p.m.** in the Parish Hall of Christ Episcopal Church. A program is planned.

VE TEST RESULTS

Another very good VE test session was held on May 17. Ronald Rodenius **KG5THC**, successfully upgraded to *General* and Dayton Jones from Lufkin passed his Technician exam and is now **KG5TKF**. Congratulations to both. Many thanks to our VE team members who make these tests possible every month.

UPCOMING EVENTS OF NOTE

Mark your calendars for the following events coming up in the next few months. Full information on these events and much more can be found at <http://www.hornucopia.com/contestcal/contestcal.html>

Neches River Rendezvous

June 3
kb8qwn@hotmail.com

ARRL June VHF Contest

June 10 - 11
<http://www.arrl.org/june-vhf>

ARRL Field Day

June 24 - 25
<http://www.arrl.org/field-day>

IARU HF World Championships

July 8 - 9
<http://www.arrl.org/iaru-hf-championship>

NAQP RTTY

July 15 - 16
<http://www.ncjweb.com/NAQP-Rules.pdf>

CQ Worldwide VHF

July 15 - 16
<http://www.cqww-vhf.com/>

NAQP CW

July 14 - 15
<http://www.ncjweb.com/NAQP-Rules.pdf>

NAQP SSB

August 19 - 20
<http://www.ncjweb.com/NAQP-Rules.pdf>

ARRL September VHF

Sept 8 - 10
<http://www.arrl.org/september-vhf>

CQ WW DX RTTY

Sept 23 - 24
<http://www.cq-amateur-radio.com/>

TEXAS QSO Party

Sept 23 - 24
<http://www.txqp.net/>

CQ WW DX SSB

Oct 28 - 29
<http://www.cqww.com/rules.htm>

ARRL Sweepstakes

CW

Nov 4 - 6
<http://www.arrl.org/sweepstakes>

ARRL Sweepstakes

SSB

Nov 18 - 20
<http://www.arrl.org/sweepstakes>

CQ WW DX CW

Nov 25 - 26
<http://www.cqww.com/rules.htm>

ARRL 160M Contest

Dec 1 - 3
<http://www.arrl.org/160-meter>

ARRL 10M Contest

Dec 9 - 10
<http://www.arrl.org/10-meter>

Basic Filters - Part 6

by

Thomas Atchison, W5TV

Now let's see if we can design a bandpass filter using the information we have about low pass filters and high pass filters. One way of doing this is shown in the block diagram labelled Fig. 1.

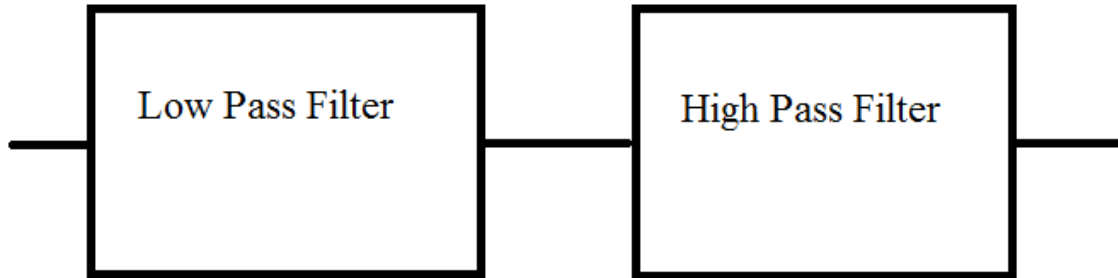
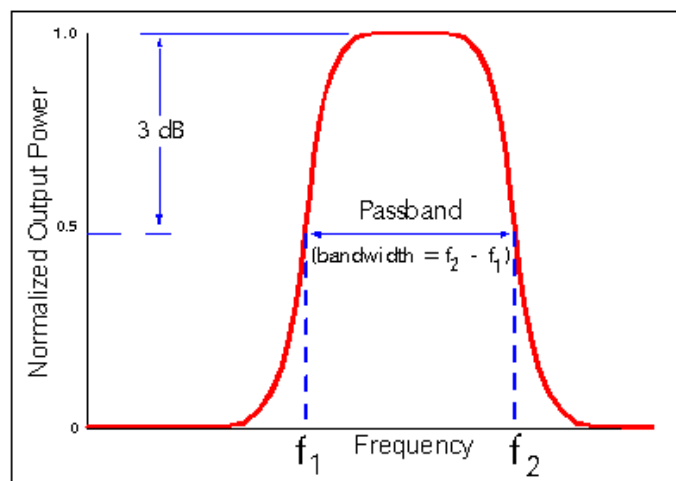


Fig. 1

If we set the cutoff frequency for the low pass filter, f_2 , higher than the cutoff frequency of the high pass filter, f_1 , then we will pass those frequencies f such that $f_1 < f < f_2$. A diagram is shown in Fig. 2 below.



bandpass filter

Fig. 2

Note that we can determine the bandwidth of the pass band for the filter by computing the cutoff frequency of the high pass filter (f_1) and the cutoff frequency of the low pass filter (f_2). The bandwidth then is $f_2 - f_1$.

Consider the low pass filter shown in Fig. 3:

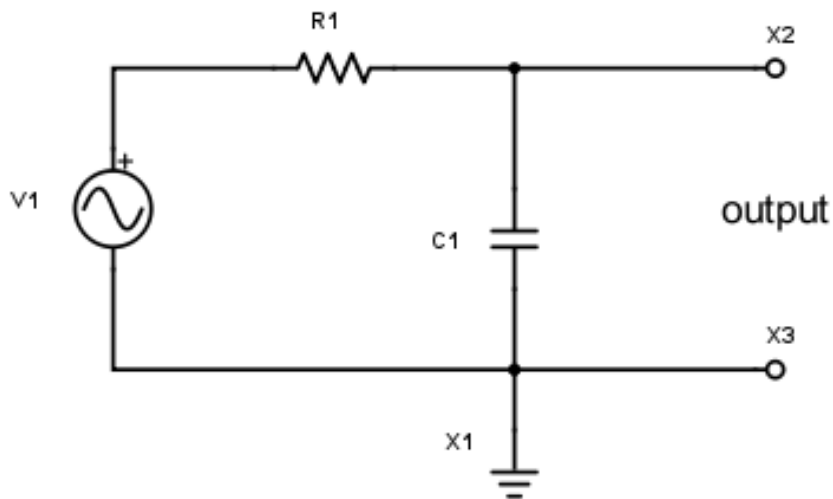


Fig. 3

Recall that the cutoff frequency is given by

$$f_2 = \frac{1}{2\pi R1 C1}$$

from Basic Filters, Part 3.

Similarly, the high pass filter we discussed in Basic Filters, Part 4 is in Fig. 4.

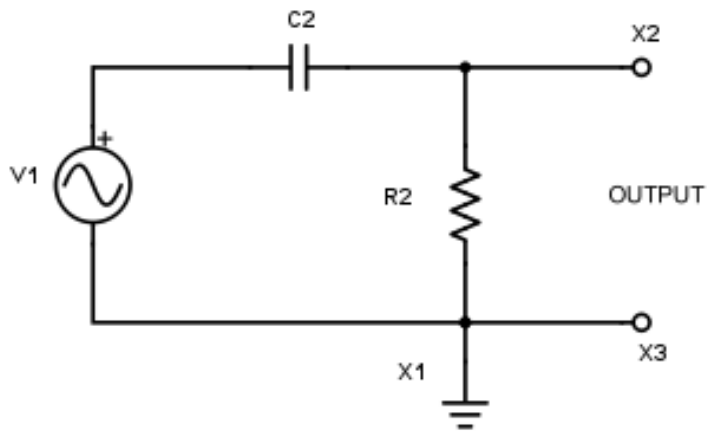


Fig. 4

Here the cutoff frequency is

$$f_1 = \frac{1}{2\pi R_2 C_2}$$

If we combine these two filters by feeding the output of the low pass filter into the input of the high pass filter we get the bandpass filter shown in Fig. 5.

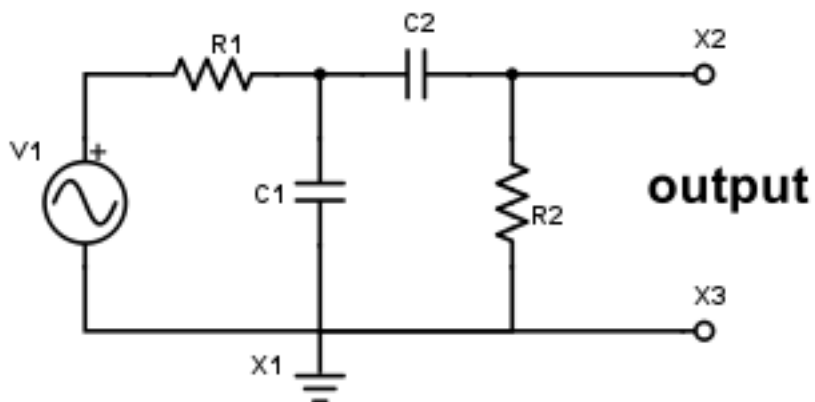


Fig. 5

Note that we can create a stop band filter by choosing the cutoff frequency of the low pass filter to be smaller than the cutoff frequency of the high pass filter. This would create a bode plot similar to the one shown in Fig. 6.

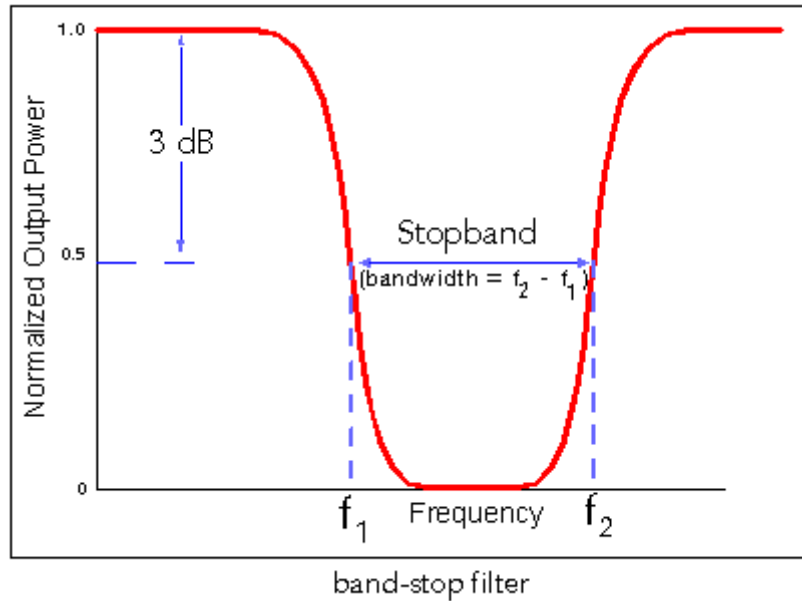


Fig. 6

The calculations for f_1 and f_2 are the same as before as is the bandwidth calculation.