

Nacogdoches Amateur Radio Club

2017 CLUB OFFICERS

Pres: John Cechin - W5FWR

Vice Pres: RM Blake - K5AGE

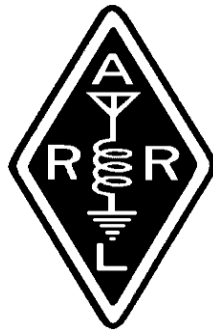
Sec/Treas: Army Curtis - AE5P

Visit our web site at

<http://w5nac.com/>

MISSION STATEMENT

The Mission of the Nacogdoches Amateur Radio Club is to support and promote Amateur Radio by public service, offering training to unlicensed interested parties and licensed Amateurs, mutual support of other Amateurs, engaging events that promote Amateur radio to the general public and other Amateur radio operators, and continuing fellowship by regularly scheduled organized meetings and events and having fun.



APRIL MINUTES

The April meeting of the Nacogdoches Amateur Radio Club (NARC) was held as scheduled on April 5th. **President John W5FWR** opened the meeting at 7:00 p.m. in the Parish Hall of Christ Episcopal Church. Sixteen members were present. Each person present introduced them self. Minutes of the previous meeting were approved as published. The Treasurer's report was read.

Contest Participation:
CQ WPX SSB: W5TV, AE5P.

June VHF Contest is scheduled for June 10 - 11. Stations expressing an interest in participating as rovers include **KT5TE, K5AGE, K5BDD, AE5P, W5TV and WD5RAH**. There is always room for more.

San Jacinto Day SES: Stations expressing interest in participating from their home stations include **K5AGE, KG5POU, WD5RAH, AE5P, K5ME and W5NRF**. See article later in this newsletter for results.

Field Day: Field Day is scheduled for June 24 - 25. Plans at this time are to operate from the City/County Mobile Command Post trailer at the airport much as we did last year. **RM K5AGE** volunteered to act as chairman for the event.

Meeting closed at 7:53 p.m.

Show and Tell: Rusty KD5GEN showed off some power supplies he recently acquired.

Program: RM K5AGE presented a program on the JT-65.

MY 2 CENTS FOX WILLY ROGER

May 2017

MAY 2017, have the May flowers popped up from the April showers? Don't forget what happens nine months after Father's night, Mother's Day.

I had to make an appointment run to Humble Vascular Thursday, 30 minutes prep time, and 3 minutes Doctor Time and I get to do this all over again in 6 months, happy days.

The April SES was unbelievable, reports have

reached me that the club received over 500 contacts, and a few were for the SES, thanks to all that participated.

Remember that Field Day is just a little over a month away, join the fun. After that is the Texas QSO Party, I hope to be out getting some counties for the club. I plan to use 40M, so give a call. If you can't do 40M, give me a call and we will try another band.

Question:

Who invented Scotch whisky?

Who invented and why, time share?

And what about parallel parking?

The word tree is still slow; all I can do is wait for better times.

REMEMBER:

Penny Candy?

Car horns in the middle of the steering wheel?

Wooden roller coasters?

THE CRAZY CAT GUY:

The outside cats still run into the house at feeding

time, I started out growling, that worked for a bit, next I used a stick to hold the cats at bay. Now the cats take the stick away from me and hold me back away from the door, I'm back to chasing then out of the QTH.

I was cleaning the house (I know it's hard to believe) and I found a diary, it's not mine so it must be one of the cats, the diary isn't signed so now I have to guess which one of the cats is the author. From time to time I will re-print some of the entries. The first one is:

Dear Diary,

My food dish is now only half full. It is obvious I will soon starve to death. This may be my last entry.

It's still a mystery on how many of the outside cats will be at the door for food. Tigger Boy is still gone; I hope he found a good home. The cloud brothers have grown more and play as much as they used to. I seem to have a stay at home outside cat,

Grey Cloud, who wants attention and I think he wants to be a house cat, his brother, White Cloud, eats and disappears until whenever he's hungry again. Lou is the same way; I never know when he will show up.

"THOUSANDS OF YEARS AGO CATS WERE WORSHIPED AS GODS THEY HAVE NEVER FORGOTEN"

I don't have to leave so many spaces these days now that we have a VP. Don't be shy, and fill up the pages, you try it sometimes, but you can't use my Word Tree.

LIVE WELL, LAUGH OFTEN, LOVE MUCH!!!

Let me know what you think, only if it's positive.

**KEEP YOUR POWER DRY AND YOUR HEAD BELOW THE HORIZON
HAPPY TRAILS**

John Cechin W5FWR
Carrots4ever2@gmail.com

FROM THE VICE PRESIDENT



Field Day, possibly the most cherished day for Hams throughout the land. A day where the pasty white ham catches sun rays for the first time all year and is reminded that yes, we are in-fact a year older. But on this great day, we feel 10 years younger!

You might have noticed I have a small picture above my column. It says "I want you to have fun" I really do mean that. So this is the duty I charge you with: find some aspect of Field Day to get excited about! There are many things you guys are talented at, come out and show those skills off. If you need a reminder, take a peek through the 2017

Field Day packet <http://www.arrl.org/field-day> and find great ideas to have fun with.

For example, make it your mission to copy the W1AW message for 100 points. Or how about an educational program, or a GOTA station?

Unrelated to points, Army suggested a great idea. He and I would love to see a Saturday dinner, one suitable for the entire family. Something cooked on site could be great fun for the culinary ham to do (expenses paid by the club). So in conclusion, be thinking about Field Day fellas, and what gets you going. I have always found, when you have something to get excited about, it makes whatever you are doing that much more enjoyable.

73 de RM Blake K5AGE
k5age@fastmail.com

NOTES FROM OUR EC

Unusual for me, I'm at a bit of a loss for topic(s) for the May column. Let me get on a roll and see if we can share a smorgasbord of topics.

Net control operators, please pay attention to your participants. We have one or two, myself included, that check in and immediately check out, hence the IN and OUT. If they say in and out, don't go back to them in the hopes that they are still there; they probably aren't. If they had something for the good of the net, they would have let you know. I am generally listening in. I can't hit the .84 repeater from my desk at work but I can listen.

Net participants: just like voting in East Texas, early and often. Give your call sign often. The FCC requires you to give your call sign after 10 minutes (I can get really long winded) or at the end of your communications,

whichever comes first. I don't think the repeaters would tolerate a long dissertation and would probably time out. So, if you are not sure, sign when you give it back to the Net Control and when you are done. As Grandma said: it can't hurt.

Equipment status: If you're not sure whether your gear is working don't wait until the last minute to see if it works. Regular check ins will help with that and just getting on to the repeater at other than net times will help, too.

Skywarn: How many made the trip to Lufkin? Thanks to DETARC for hosting it. For the first timers, did you learn a lot? For those who were getting a refresher, did you learn something new?

The Neches River Rendezvous and Field Day events are coming up. Rendezvous, the first weekend of June and Field Day the last weekend of June. Are you going to one or both events? How prepared are you?

Spring tornado season is upon us and we've been lucky. Hurricane season is coming. What kind of shape is your bug out bag and I don't mean flat in the corner. If you do evacuate the area, do you have everything planned for the family and the cat and the dog?

And the last thing on the buffet line: Are you having a good time playing radio? Have you tried a new mode. EMCOMM is kind of serious and we sometimes have serious business to do, but it is also a hobby, have fun.

73 de John Chapman
KC5MIB

jlchapman2@juno.com

VE TESTING

Our next VE testing is scheduled for **Wednesday May 17 at 7:00 p.m.** in the Parish Hall of Christ Episcopal Church.

Applicants should bring a picture ID, the original and a copy of their current Amateur license, the original of any CSCE's and \$15 to cover the cost of the exam(s). Correct change is always very much appreciated. 73 de AE5P

email: ae5p@arrl.net

CLUB NETS

Remember to join us each week for the nets sponsored by NARC. Each **MONDAY** is the **NARC ARES/RACES** net, at 8:00 p.m. on the club's 146.84 repeater (PL 141.3). Second, on **THURSDAY** evenings at 8:00 p.m. is the **Deep East Texas Skywarn Emergency Weather Net** on the 147.32 repeater (PL 141.3). Please join us for one or both.

NEXT MEETING

The next meeting will be **Wednesday May 3rd at 7:00 p.m.** in the Parish Hall of Christ Episcopal Church.

VE TEST RESULTS

Another very good VE test session was held on April 19. Congratulations to **Drake Wolf** of Nacogdoches who passed his Technician exam and is now **KG5SXW**, **Ramon Eggleston** of Hemphill who passed his Technician exam and is now **KG5SXX** and to **Vicky Evans** of Shreveport who passed her Technician exam and is now **KG5SXY**. Many thanks to our VE team who makes these tests possible every month.

SAN JACINTO DAY SPECIAL EVENT STATION

The San Jacinto Day Special Event Station was a new event for NARC which we hope will become an annual affair. We used the special call K5T for the event and encouraged members to operate from their home stations for the event which was held April 21 - 23, Friday, Saturday and Sunday.

San Jacinto Day is the celebration of the Battle of San Jacinto on April 21, 1836. It was the final battle of the Texas Revolution where Texas won its independence from Mexico.

Stations participating were **Bob K5ME**, **Ralph WD5RAH**, **Roger KOYY**, **Ray W5NRH**, and **Army AE5P**.

Band conditions were a challenge to put it mildly, but the gang persevered to rack up 636 contacts using SSB, CW, PSK, RTTY, and JT65/JT9.

A special tip of the hat to **Ralph** who made 182 contacts on JT65/JT9. This is especially impressive when you consider it takes at least 6 minutes just to complete one contact on these modes. That's a lot of time in the chair for **Ralph** and may explain why he's been seen doing a lot of walking lately.

UPCOMING**EVENTS OF NOTE**

Mark your calendars for the following events coming up in the next few months. Full information on these events and much more can be found at <http://www.hornucopia.com/contestcal/contestcal.html>

CQ WW WPX Contest**- CW**

May 27 - 28

<http://www.cqwp.com/rules.htm>

Neches River**Rendezvous**

June 3

kb8qwn@hotmail.com

ARRL June VHF Contest

June 10 - 11

<http://www.arrl.org/june-vhf>

ARRL Field Day

June 24 - 25

<http://www.arrl.org/field-day>

IARU HF World Championships

July 8 - 9

<http://www.arrl.org/iaru-hf-championship>

NAQP RTTY

July 15 - 16

<http://www.ncjweb.com/NAQP-Rules.pdf>

CQ Worldwide VHF

July 15 - 16

<http://www.cqww-vhf.com/>

NAQP CW

July 14 - 15

<http://www.ncjweb.com/NAQP-Rules.pdf>

NAQP SSB

August 19 - 20

<http://www.ncjweb.com/NAQP-Rules.pdf>

ARRL September VHF

Sept 8 - 10

<http://www.arrl.org/september-vhf>

CQ WW DX RTTY

Sept 23 - 24

<http://www.cq-amateur-radio.com/>

TEXAS QSO Party

Sept 23 - 24

<http://www.txqp.net/>

CQ WW DX SSB

Oct 28 - 29

<http://www.cqww.com/rules.htm>

ARRL Sweepstakes**CW**

Nov 4 - 6

<http://www.arrl.org/sweepstakes>

ARRL Sweepstakes**SSB**

Nov 18 - 20

<http://www.arrl.org/sweepstakes>

CQ WW DX CW

Nov 25 - 26

<http://www.cqww.com/rules.htm>

ARRL 160M Contest

Dec 1 - 3

<http://www.arrl.org/160-meter>

ARRL 10M Contest

Dec 9 - 10

<http://www.arrl.org/10-meter>

Basic Filters - Part 5

by
Thomas Atchison, W5TV

Now suppose we ask how we might be able to construct a filter that would pass frequencies above a certain frequency and block frequencies below that frequency. If we could construct such a filter it would be appropriately called a high-pass filter. As our first look at such a filter, let's consider again using a resistor, R , and a capacitor, C , but reversing the placement of these components from the previous discussions concerning low-pass filters (Fig. 1).

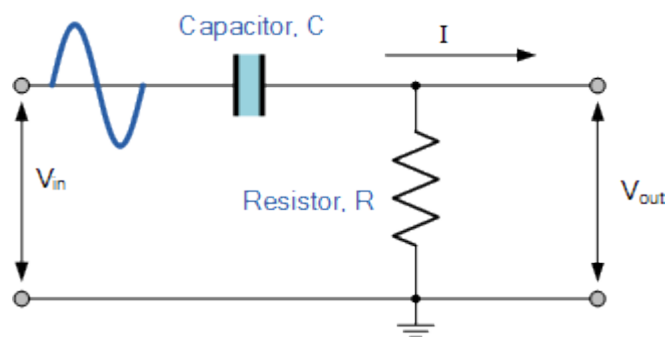


Fig. 1

Recall that the reactance of the capacitor, X_C , is given by the following equation:

$$X_C = \frac{1}{2\pi fC}.$$

As we mentioned in a previous article, as the frequency increases we see that X_C decreases. For low frequencies, X_C is large so the capacitor blocks those frequencies. As we approach the cut-off frequency, f_C , the reactance gets small enough to allow signals to pass. The result is a Bode magnitude plot as shown in Fig. 2.

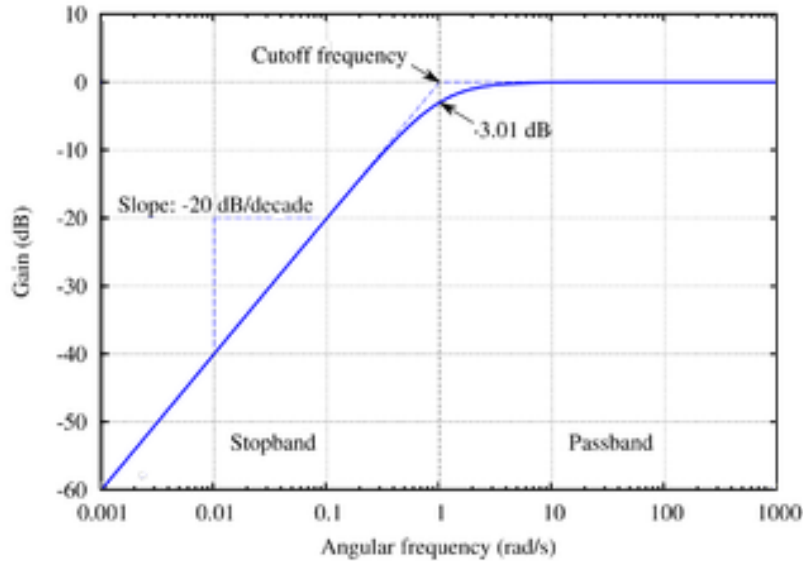


Fig. 2

Notice that the slope of the gain curve increases at 20 dB/decade just like the previously described low pass filter decreased. The high pass RC filter is the reverse of the low pass RC filter. The cutoff frequency is determined in the same way as the cutoff frequency of the low pass filter. That is

$$f_c = \frac{1}{2\pi RC}.$$

Generally, the high pass filter is less distorting than its equivalent low pass filter because of the higher operating frequencies.

A common application of this type of high pass filter is in audio amplifiers as a coupling capacitor between two audio amplifier stages in a speaker system. It can direct higher frequency signals to the small speakers while it blocks the lower bass signals. In these cases, it is called a 'low-cut' or 'bass-cut' filter.

Just as with the low pass filters we can cascade two first order high pass filters to form a second order high pass network as in Fig. 3.

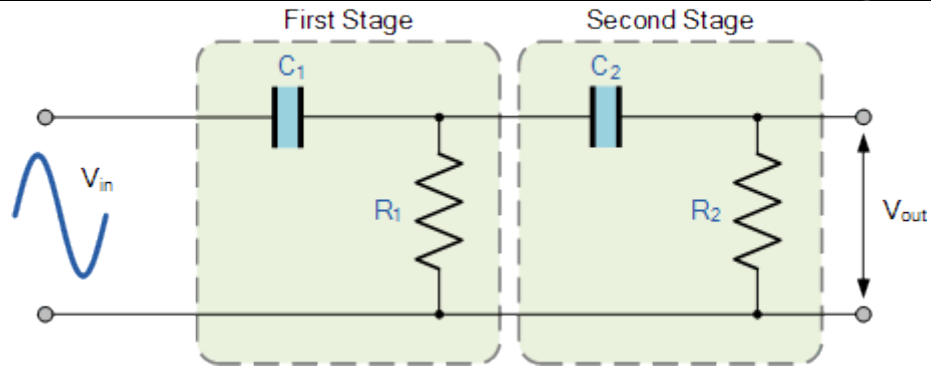


Fig. 3

As before, the cutoff frequency is altered to be the following:

$$f_c = \frac{1}{2\pi\sqrt{R_1C_1R_2C_2}} \text{ Hz.}$$

The next step in this development of filters involves combining a low pass filter and a high pass filter to create a bandpass filter. We will attempt to do that in the next article.