

# Nacogdoches Amateur Radio Club

## 2016 CLUB OFFICERS

Pres: John Cechin - W5FWR

Sec/Treas: Army Curtis - AE5P

Visit our web site at

<http://w5nac.com/>

## MISSION STATEMENT

The Mission of the Nacogdoches Amateur Radio Club is to support and promote Amateur Radio by public service, offering training to unlicensed interested parties and licensed Amateurs, mutual support of other Amateurs, engaging events that promote Amateur radio to the general public and other Amateur radio operators, and continuing fellowship by regularly scheduled organized meetings and events and have fun.



## JUNE MINUTES

The June meeting of the Nacogdoches Amateur Radio Club (NARC) was held as scheduled on June 1st. **President John W5FWR** opened the meeting at 7:00 p.m. in the Parish Hall of Christ Episcopal Church. Thirteen members and one guest were present. Each person present introduced himself. Minutes of the previous meeting were approved as published. The Treasurer's report was read.

All military veterans were asked to stand and were given a round of applause

for their service in keeping our freedom.

**Contest Reports: Bob K5ME** reported he worked the WPX CW contest and finished with 300 QSO's and 241 multipliers. Nice work Bob!

**Neches River Rendezvous** has regretfully been cancelled because of the heavy rains we have been experiencing. Not only is the Neches River extremely high, but road access to the starting point at Anderson Crossing has been rendered impassable due to the rains. We will keep our fingers crossed for next year.

The June VHF Contest is scheduled for the weekend of June 11 - 12. The club plans to hold a Special Operating Event that

weekend, operating Saturday from Texarkana to Nacogdoches, and on Sunday from Nacogdoches to Jasper. The route will cover 8 grids in all.

Everyone was reminded of Field Day coming up the weekend of June 25 - 26. To be successful, it will require everyone who possibly can to participate. Field Day will be held using the City/County Mobile Command Post trailer to be located at the Nacogdoches Airport. We will operate as Class 2F, and will have a GOTA station.

**John W5FWR**, reiterated his proposal for a new Special Event station to be considered for April 21 next year, celebrating San Jacinto Day.

A reminder to everyone that our July meeting on July 6<sup>th</sup> will be our annual **Ice Cream Social**. More information will follow.

Meeting closed at 8:00 p.m.

## MY 2 CENTS FOX WILLY ROGER

### JULY 2016:

July is here, and you know what that means. The FIELD DAY was the best we had in a long time. Slacker #1 made some of the best peach cobbler I have ever had, and if that wasn't good enough, he had Blue Bell on top. After that nobody wanted to get back to the radios; with a snack like that who cares about radios. A lot of hams took part in this year's event, I can't tell you who all did what, I will leave that to Army, his memory is a whole lot better than mine. The temperature alone was more than most of us could take. The antennas went up without any problems to speak of. Station was phone on a Icom 756 pro II, W5TV worked digital on a Flex, but the words wouldn't come together so he went to a K2, the K stands for Kent. Then Tom went to CW at station #2. Slacker #1 ran the GOTA station, I heard that he even turned his radio on, the

rest of the time he cooked, and he CAN cook, with a breakfast that he served no one wanted to go back to the radio, so it was time to take down and put away and go home, so that's just what we did. It takes just as long to take down and put away as it did to set up.

I would like to take a little space and thank all that worked, helped, and the visitors, without these people FD would be just another day, THANKS.

Just a few more months left, are you getting ready to take the reins and guide the club for another year?

I did what is called a science experiment. I remember an old saying we had when I was young, kill an ant and it will rain, so I just had to try it. I've always heard that all old sayings had some fact behind them. So I got an ant, a big one, I figured that the bigger the better the chances are it would work. So I went hunting for a big fat ant, and I had to come up with how, if I

glued it down, that would work. But that didn't seem right, so I gave it a run and did it. After all that I walked outside to watch it rain. But it didn't rain much, now I'm faced with a problem, how many ants did I have to get so it would give us a good rain, too few and all it would do is make it hotter, too many and it would be NOHA all over again, how do I decide, I will have to do more research on this, as I learn more I will pass it on, in the meantime enjoy the rain.

Have a safe and happy summer.

#### **THE CRAZY CAT GUY:**

Mother cat has two out of the three kittens, all doing fine and dandy, getting big and stays away from me. Daisy May has four out of five, this group is about three to four weeks old. This group comes to the feeding station, and I can pick them up and show them where the food is. Daisy May just sits around and takes a break when I play mom. I have named them, and the names I

came up with are, 1,2,3,and 4, I find it's easier to remember. LG went walk-about about a month ago, he came back last week just to see how things were doing, and I guess he missed us. Tigger boy comes and goes a day at a time; I guess was just too lazy to go out and take a look-see. Tigger girl was fat and now is thin, I haven't seen any offspring, and so I don't know. Lou goes out now and then, but stays close to the birthplace.

The inside cats are just the same, just more demanding, each one thinks that she is number one and should be the only one getting attention from me. When I learn how to get pictures from my phone to the computer/printer I will put some pictures in my column, until then....

#### **DID YOU HEAR THE ONE:**

Sorry no joke this time, I'm still too tired from FD.

#### **GREAT INVENTIONS:**

A horse, how else you going to ride into town? Still too tired.

#### **DID YOU EVER THINK?**

What the Word Tree has to go through to get this column this far?

Why is it that automobile tires don't last? You should be able to develop a lifelong tire; NASA put a man on the moon didn't they? The rovers the astronaut's took to the moon didn't go flat, forever, and no oil changes, go figure.

#### **HMMM**

I will now leave a lot more spaces for the others to use, don't be shy, and fill up the pages, you try it sometimes, but you can't use my Word Tree.

#### **LIVE WELL, LAUGH OFTEN, LOVE MUCH!!!**

Let me know, what do you think?

**KEEP YOUR POWER DRY AND YOUR HEAD BELOW THE HORIZON.**

HAPPY TRAILS

John Cechin W5FWR  
[Carrots4ever2@gmail.com](mailto:Carrots4ever2@gmail.com)

## NOTES FROM OUR EC

"CQ, CQ, CQ Field Day, this is W5NAC calling CQ..." so began NARC's 2016 foray. As always a lot of work went into putting this year's edition together, plus a lot of comradery.

The Saturday crew put up two antennas, a Butternut 80/40 vertical and the Green Monster with a Cushcraft tri-band yagi. A lot of sweat equity went into the installation and tear down of the Monster. Now you know why I wanted everyone to wear a hard hat (not to be confused with a hard head). We had a lot of aluminum overhead. I hate to think what might have happened if it had come tumbling down.

The heat did its usual and took its toll, thankfully we didn't have to call out for

EMT and everyone that got heated was able to get plenty of water and rest in an air conditioned room.

Field Day is a good example of setting up in less than the best conditions, but I say that with reservations if you happened to see Ralph's (RAH) station in the travel trailer. The fridge was close at hand, the coffee pot close and a nice couch to relax upon, didn't seem too austere to me. The County Mobile Command Post was just that a command post and obviously not as well appointed. At least we could show off both the digital and voice stations and a little kit building.

As with every event, there are lessons learned. Don't wait for the event to see if your equipment is in working condition. Thankfully Lowes, Atwood's and Tractor Supply were not too far away to get hardware. We wouldn't have been in as good circumstances if we had to deploy the Monster to the river bottom and

put up the yagi there. A little Periodic Maintenance (PM) goes a long way to limiting frustrations and speeding up installation time. We had 30 minutes to spare before Field Day opened up. The Monster needs some love, too and some of us will plan a work party to get it cleaned, some cracks welded and identifying any other deficiencies. When was the last time you did any PM on your gear, whether in your fixed station or in your Go-Bag?

I expect that Army will have a final activity report. We will get some bonus points for media and served agencies. The Mayor, Sheriff's Department, Fire Department and Media made visits as well as a few visitors.

Thanks go out to everyone that came out and helped in whatever capacity. I think we can conclude that we are an eating club with a radio habit, because Ralph put together some great food and there was cobbler with Blue Bell ice

cream as a Saturday afternoon treat. Thank you Ralph.

I hope everyone enjoys the July Ice Cream Social at the next meeting, let me know if i enjoyed it.

73 de John Chapman  
KC5MIB  
[jlchapman2@juno.com](mailto:jlchapman2@juno.com)

## VE TESTING

Our next VE testing is scheduled for Wednesday, July 20 at 7:00 p.m. in the Parish Hall of Christ Episcopal Church. Applicants should bring a picture ID, the original and a copy of their current Amateur license, the original of any CSCE's and \$15 to cover the cost of the exam(s). Correct change is always very much appreciated. 73 de AE5P

email: [ae5p@arrl.net](mailto:ae5p@arrl.net)

## CLUB NETS

Remember to join us each week for the nets sponsored by NARC. Each **MONDAY** is the **NARC ARES/RACES** net, at 8:00 p.m. on the club's 146.84 repeater (PL 141.3). Second, on **THURSDAY** evenings at 8:00 p.m. is the **Deep East Texas Skywarn Emergency Weather Net** on the 147.32 repeater (PL 141.3). Please join us for one or both.

## NEXT MEETING

The next meeting will be **Wednesday July 6th** at **7:00 p.m.** in the Parish Hall of Christ Episcopal Church. This will be our annual **ICE CREAM SOCIAL**. Bring your favorite flavor of ice cream (or cookies, or ???) and come join us for a fun evening. The club will furnish bowls, spoons and napkins. All you have to bring is the ice cream and an appetite.

## VE TEST RESULTS

We had one of our larger test sessions this month, with six people taking (and passing) exams. New hams include Steve KG5ODZ of Lufkin, Michael KG5ODX of Lufkin, and Daniel KG5ODY of Nachitoches, LA all passing their Tech. Carl W5CBM of Rusk upgraded to General, while Paul KF5UDP of Bronson and Joseph WB5KSY of Lufkin upgraded to Extra. Congratulations to all. Please make them feel welcome if you hear them on the repeaters.

## FIELD DAY

Field Day was fantastic with 14 club members participating, many of them spending the night. Our food chairman, WD5RAH, really outdid himself. First, there was peach cobbler and Blue Bell ice cream Saturday afternoon, followed by an assortment of Papa John's

pizza Saturday evening. Ralph began cooking for Sunday's breakfast on Saturday evening, and presented us with a true feast for breakfast. Breakfast was so good, nobody was interested in continuing the radio operation, so we tore down a little earlier than originally planned. Our club has been accused for some time now of putting more importance on what we eat than on how many contacts we make. I'm proud to report we have kept our reputation intact.

A number of people came out to visit our operation, including Mayor Roger Van Horn and Deputy Sheriff Jimmerson. We had a reporter and photographer from the Daily Sentinel spend time with us and we're looking forward to seeing their article in the newspaper.

Band conditions left a lot to be desired. Most of our time was spent on 20 meters, with 40 meters the next most popular. One contact each was reported on 15 and 75.

Results have been submitted to ARRL and it looks like we may have gotten more bonus points than contact points. But that's okay.

The most important part of Field Day was that everyone reported they had fun, even if they didn't make any satellite contacts. Field Day is a learning experience, and we all learned from it.

That's a good thing.

Be thinking now about what we can do to make next year's Field Day even better. Write up your thoughts, comments, ideas, suggestions, etc. and e-mail them to AE5P. All comments are most welcome, especially the critical ones.

## UPCOMING EVENTS OF NOTE

Mark your calendars for the following events coming up in the next few months. Full information on these events and much more can be found at <http://www.hornucopia.com/contestcal/contestcal.html>

### IARU HF World Championship

July 9 – 10  
<http://www.arrl.org/iaru-hf-championship>

### CQ VHF Contest

July 17-18  
<http://www.cqww-vhf.com/>

### North American QSO Party CW

August 6 – 7  
<http://www.ncjweb.com/NAQP-Rules.pdf>

### North American QSO Party SSB

August 20 – 21  
<http://www.ncjweb.com/NAQP-Rules.pdf>

### ARRL September VHF Contest

September 10 - 11  
<http://www.arrl.org/september-vhf>

### Texas QSO Party

September 24 – 25  
<http://www.txqp.net/>

### CQ WW DX Contest SSB

October 29 – 30  
<http://www.cqww.com/rules.htm>

### ARRL Sweepstakes CW

November 5 – 7  
<http://www.cqww.com/rules.htm>

### ARRL Sweepstakes SSB

November 19 -21  
<http://www.cqww.com/rules.htm>

### CQ WW DX Contest CW

November 26 - 27  
<http://www.cqww.com/rules.htm>

### ARRL 160 Meter Contest CW

December 2 - 3  
<http://www.arrl.org/160-meter>

### ARRL 10 Meter Contest CW/SSB

November 10 - 11  
<http://www.arrl.org/10-meter>

## From A Loop To A Quad

by

Thomas Atchison, W5TV

As we discussed in the last article, a vertically oriented loop with a feed point on the center of wire 1 will radiate perpendicular to the plane of the loop with horizontal polarization (Fig. 1).

EZNEC

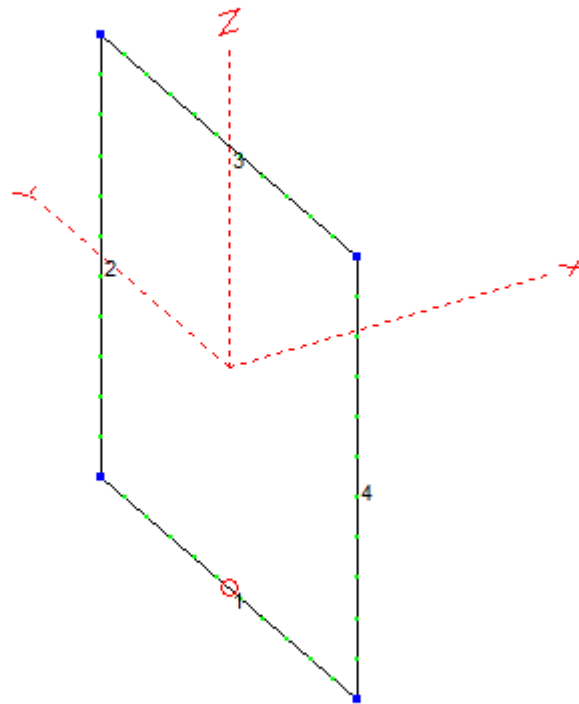


Fig. 1

If we want to give this loop some directivity and some gain we could add another loop which is slightly longer in circumference and spaced an appropriate distance away so it would absorb radiation from the driven element and reradiate it to reinforce the original radiation. Such an added loop is usually called a reflector. The idea is to construct this reflector so that the reradiated signal is 'in phase' with the original



signal providing a stronger signal perpendicular to the plane of the driven element (Fig. 2).

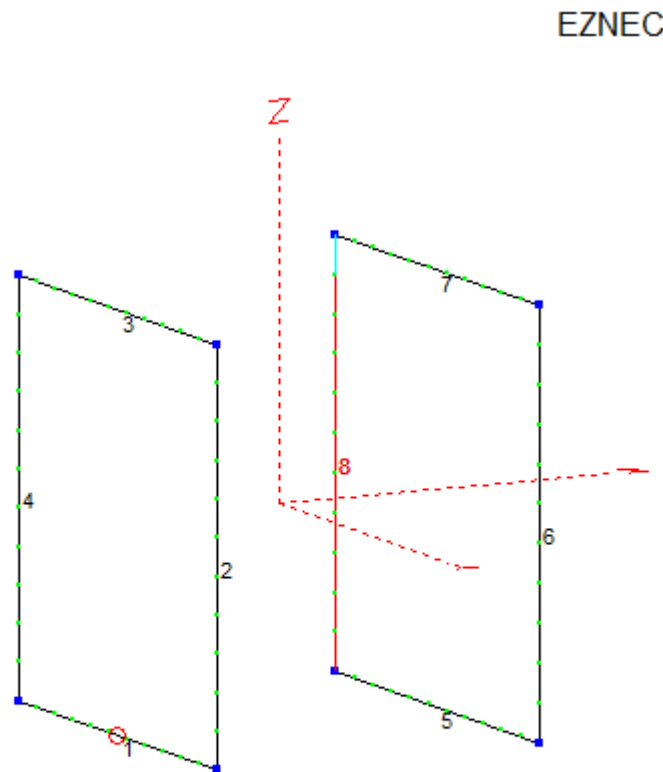


Fig. 2

The added reflector consists of wires 5, 6, 7, and 8 in Fig. 2. Because this is a reflector, maximum radiation occurs in the direction from reflector toward the driven element, which is toward the left in Fig. 2. This antenna simulation is constructed of #12 wire. The spacing between elements is 1.1 feet, each side of the driven element is 1.75 feet long and each side of the reflector is 1.8 feet long.

The azimuth plot is shown in Fig. 3. Note that the gain is 13.69 dBi. This antenna also has a nice front to back ratio of 11.01 dB.

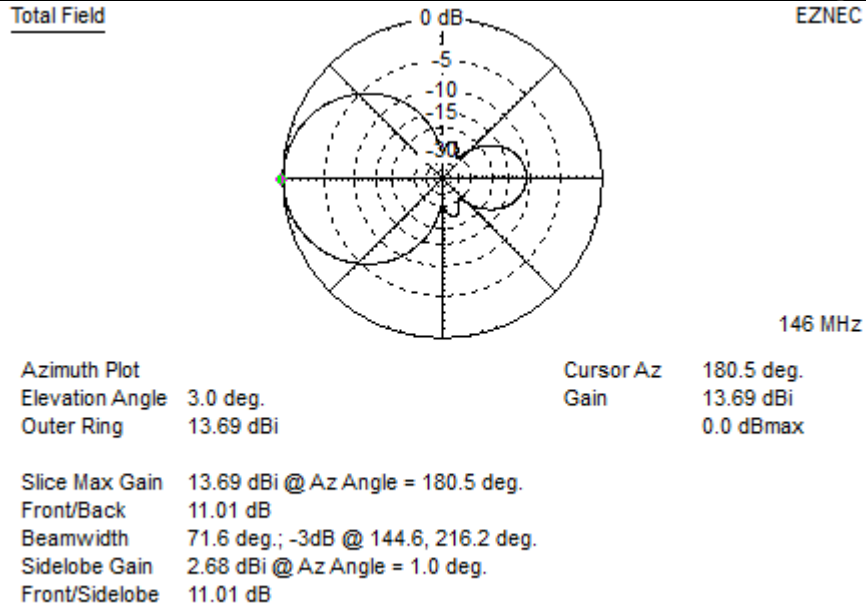


Fig. 3

The elevation plot is shown in Fig. 4 below.

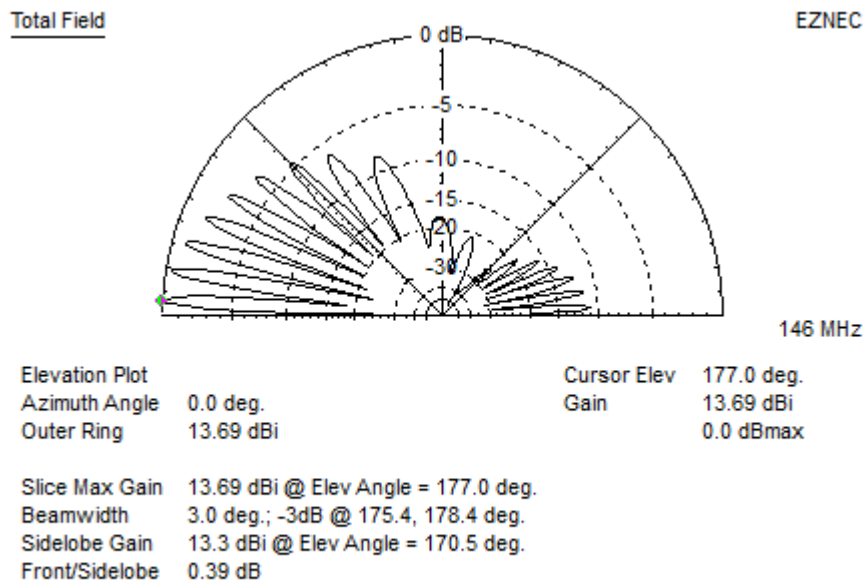


Fig. 4

The SWR plot from 144 MHz to 148 MHz is shown in Fig. 5.

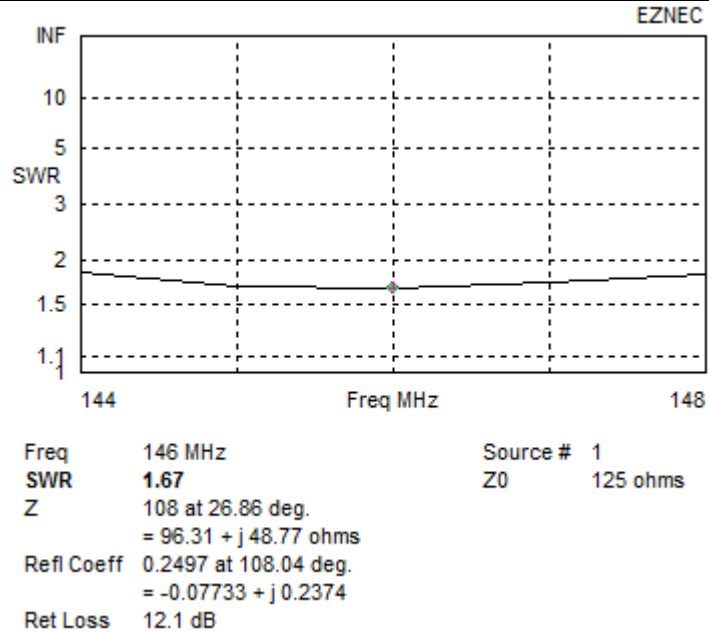


Fig. 5

Note that  $Z_0 = 125$  ohms. To feed this antenna with 52 ohm coax you will need to construct a coaxial matching network. As I mentioned previously you can use a  $\frac{1}{4}$ -wave section of 75 ohm coax to transform the 125 ohms to about 50 ohms.

Several years ago I constructed this antenna. I wanted to use it to access repeaters so I fed the antenna on one of the side wires (wire 2). This provided vertical polarization with the same gain and it worked very well.