

Nacogdoches Amateur Radio Club

2016 CLUB OFFICERS

Pres: John Cechin - W5FWR

Sec/Treas: Army Curtis - AE5P

Visit our web site at

<http://w5nac.com/>

MISSION STATEMENT

The Mission of the Nacogdoches Amateur Radio Club is to support and promote Amateur Radio by public service, offering training to unlicensed interested parties and licensed Amateurs, mutual support of other Amateurs, engaging events that promote Amateur radio to the general public and other Amateur radio operators, and continuing fellowship by regularly scheduled organized meetings and events.



FEBRUARY MINUTES

The February meeting of the Nacogdoches Amateur Radio Club (NARC) was held as scheduled on February 2nd. **President John W5FWR** opened the meeting at 7:00 p.m. in the Parish Hall of Christ Episcopal Church. Eleven members and five guests were present. Each person present introduced himself. Minutes of the previous meeting were approved as published. The Treasurer's report was read.

The second "Special Operating Event" was held the weekend of January 30. Participants included

AE5P, WK5F, WD5RAH, WA5GVQ, and WD5HFD. Propagation was not good for extended distance contacts, but the group certainly had a lot of fun.

The 13th annual Shuttle Columbia Special Event Station will be held the weekend of February 6. Members are invited to operate in the event using their home stations and the special callsign **K5C**. At this point, **AE5P/WA5GVQ, W5TV, W5NRF** and **WK5F** have signed up to operate from their home stations for the event

Army AE5P gave an update on the high altitude balloon launch planned by Timpson ISD. Latest news now has launch scheduled for tomorrow February 4.

NPOTA, the National Parks on the Air event, continues with many operations from all over the country. See the ARRL web site for latest details.

Meeting closed at 7:50 p.m.

Show and Tell: John **W5FWR** showed the ARRL Special Services Club certificate just received.

Army AE5P showed the certificate he received from CQ Magazine for his

Program: **Winton Canfield**, 94 years young, gave a fascinating talk about his service in WW2 as a Navy radio operator aboard the USS McCook

2016 DUES ARE DUE

As we begin the New Year, please remember that 2016 club dues are now due and payable. Dues are just \$24 a year, and cover all licensed Amateur Radio operators in a family. Payment can be made to the Club Treasurer (AE5P) at meetings, at the weekly

lunches, or by mailing a check to 167 CR 2093, Nacogdoches 75965. Checks should be made payable to NARC.

MY 2 CENTS FOX WILLY ROGER

MARCH 2016:

Beware of the 15th, if you see someone wrapped in a sheet, RUN.

The SES has once more gone into the history books, but it seems that the entries are smaller each year, or maybe I need new glasses?

How many of you are into the NPOTA this year, seems like it could be a lot of fun, join in and make these contacts. The January VHF fun run has passed and now it's time to gear up for the June, July, and September's fun run.

Did you see that gas went up at the big three low stations? Gas went from \$1.31 to \$1.39, I hope this is not a trend, and I was just getting used to the \$1.31 price.

The club has a Field Day among the fun run's. This year a newer member agreed to take on the challenge of bringing all the odd and ends together and putting the club back in the books of also did. Jim is just now figuring out how big a job it is, so all that can, jump in and help Jim, help him keep the faith.

The most important day to remember and mark on your calendars is my birth day, 21 September, if I had my way it would be a national holiday.

THE CRAZY CAT GUY:

It seems that one of my outside cats didn't like the name I bestowed on her, Strips. She petitioned a cat-pellet court, one Douglas O. Graves presiding, Strips is history, her new name is Daisy May, and so from hence forth she will be "Daisy May". How or where she came up with that name I will never know, maybe it's from the Lil Abner books?

My trips to Houston have been and continue to be many in the future months, so as in the past, when I do get back my cats jump for joy, literally, chasing each other from one end of the house to the other, Rolly using the floor and Tar Baby the tops of everything else, and for the rest of the evening Tar Baby requires me to hold her.

I think I mis-named the two inside cats; their names should have been Water and Oil. Tar Baby being Oil and Rolly-Polly is Water, Rolly is laid back, takes everything in stride, Tar Baby is Oil, the two don't mix but do mix it up, and then separate to different parts of the room.

I got the outside cats to one meal a day, on the other side of this is, these cats will eat a lot of different foods, and among these are scraps from my homemade bread.

GREAT INVENTIONS:

The roller-skate, think of it, without the roller-skate

you wouldn't have skateboards and what came after? Don't forget the bicycle, if we didn't have the bicycle we wouldn't have the unicycle. And where would we be if that cave man had decided to carve out a hexagon?

DID YOU EVER THINK?

Why is it that Jams, Jellies, and Preserves are sold in containers taller than the spoon used to retrieve the goods? All that does is get your fingers full of sweet sticky goods, now you have to wash your hands before you can eat, and it might not even be Saturday. Why can't they come in a squatty container like some baked beans?

Now that beans are the next subject, why so many kinds and brands? You have red, small white, large white, green, yellow, French green, Italian green, snap, poll, bush, and I don't know what else, come on now, and give me a break.

What about potatoes, there are small white,

small red, a hand full of larger ones, did I forget to mention sweet potatoes, or new potatoes, does that mean the others are bitter or old? The larger potatoes are broke up into, baking while others say well for frying, boiling, what happened to the potato, I just want a potato!

HMMM

I will now leave more spaces for the others to use, don't be shy, fill up the pages.

**KEEP YOUR POWDER DRY
AND YOUR HEAD BELOW
THE HORIZON**

Happy Trails

73 Enjoy, what do you think, let me know?

John Cechin W5FWR

Carrots4ever2@gmail.com

NOTES FROM OUR EC

CQ, CQ, CQ, This is the Nacogdoches Amateur Radio Club ARES/RACES net...so starts the preamble for the Monday net.

NARC has two regular weekly nets. The ARES/RACES net meets each Monday on either the .84 or the 70 cm (444.050) repeaters. The SKYWARN net meets every Thursday on the .32 repeater. All the nets meet at 8 pm local time.

The nets are somewhat informal, with check-ins, what's going on and basically informal how-dee-dos. We have done some more formal activities training on software, a digital mode and running a follow on net in simplex, so it's not just an evening coffee club.

The nets give everyone the opportunity to work under net control not in a DX pile-up, free-for-all. Most net controllers ask for check-ins and then ask for

traffic. Some nets have so many check-ins or check in areas for example the San Antonio rain fall net, the check-ins are by area, that area is handled and then the next area is called. These nets are much more formal. Etiquette requires you remain with the net until it closes or you ask net control to leave the net.

We have a few folks that check into the net regularly, but we would like to have others come and check in. The nets don't last very long and it won't take too much time out of the basketball / baseball / Dancing with the Stars time.

We also need to people to be net control operators. We have a few that cover the 8 or so nets but we could always use more to cover vacations, out of town sick or broke equipment. AND if we do have to activate due to some event, we are better prepared to work in a radio network environment.

I hope there haven't been too many of you fighting allergies but we can expect more of that as the winds that push spring in also kick up the dust and all the pollen. I think my eyes have stopped itching, finally.

Before I close this one out, Daylight Savings Time starts Sunday, 13 March at 2 am or is it 3 am, well you get the drift, don't forget to set your clocks ahead Saturday night the 12th or heck just stay up all night.

73 everyone and we'll see you on the other end of the coax.

73 de John Chapman
KC5MIB

jlchapman2@juno.com

VE TESTING

Our next VE testing is scheduled for Wednesday, March 16 at 7:00 p.m. in the Bailey House at Christ Episcopal Church. Applicants should bring a picture ID, the original and a copy of their current

Amateur license, the original of any CSCE's and \$15 to cover the cost of the exam(s). Correct change is always very much appreciated. 73 de AE5P

email: ae5p@arrrl.net

CLUB NETS

Remember to join us each week for the nets sponsored by NARC. Each **MONDAY** is the **NARC ARES/RACES** net, at 8:00 p.m. on the club's 146.84 repeater (PL 141.3). Second, on **THURSDAY** evenings at 8:00 p.m. is the **Deep East Texas Skywarn Emergency Weather Net** on the 147.32 repeater (PL 141.3). Please join us for one or both.

The actual operating frequency for each net is at the discretion of the net control operator. Some nets have used the club's UHF repeater on 444.050 but stay alert to other possibilities such as a simplex frequency or even HF.

NEXT MEETING

The next meeting will be **Wednesday March 2** at **7:00 p.m.** in the Parish Hall of Christ Episcopal Church. A program on the recent Timpson ISD balloon flight is planned. Come join us.

VE TEST RESULTS

Congratulations to Bill KG5LFR on his upgrade to General. Bill says he has now set his sights on upgrading to Extra.

SHUTTLE SPECIAL EVENT

The Shuttle Columbia Special Event Station (SES) was held the weekend of February 6. A total of 662 contacts were made using the special callsign K5C. QSL cards have been pouring in.

FIELD DAY

Field Day can be fun! Here are the goals for NARC Field Day 2016:

- Have fun.
- Maximize participation.
- Help all our members become more comfortable contesters.
- Promote Amateur Radio.

As I read the rules, we will be eligible to operate FD for 24 hours. (See rules link in Army's write-up, below.) If we run 2 hour shifts with two operators on duty, we will need 24 operators total. Not sure we have that many active members, so everyone will have to take one or two shifts. The plan is for each of us to choose someone to operate our shift with us. The format is up to you. For example, each can operate for 1 hour, one of you can operate for two hours while being coached by the other, one can operate the radio and the other log for

an hour and then swap for the second hour, one can make 5 contacts and then the other make 5 contacts, etc. Just the operating will give all our active members a chance to participate and learn something or teach something at the same time. I need a volunteer to make a list of the time slots and who has signed up for each.

We also need a team to help set up the antennas Saturday morning and take them down Sunday afternoon. Another team to set up and take down the station. Another team to add ground support, e.g. food and water. (It will be hot. Drink lots of water. The bathroom is only about 25' from the operating trailer.) I need another volunteer to make a list of teams and who has signed up to help.

There will be some work preparing and testing the rig, computer, logging software, antennas and beam support mast. As you see in Army's write-up, some of the

preparation is covered but we need volunteers to help with integration and testing. Contact Army or Jim to help with this aspect of the project.

The above is only the core of the endeavor. We must do all that in order to make NARC Field Day happen. There are many other activities that we can add to promote Amateur Radio. Army mentions some below, but there are even more that he did not mention. Read the rules to find all these. They include inviting government officials and local emergency personnel to visit our site, obtaining media coverage, copying the ARRL Field Day message and sending it to our SM via amateur radio, making a satellite contact, making some contacts on emergency power, etc. There is something for everyone.

Jim WA5GVQ, has developed preliminary plans for Field Day as follows:

Field Day will be held the 4th full weekend of June. It begins Saturday 6/25 at 1800Z (1:00 p.m. CDT) and runs until Sunday 6/26 at 2059Z (3:59 p.m.). Our Field Day will be held at Nacogdoches airport, using the City/County Mobile EOC trailer located just behind the Pilot's Lounge.

Jim will furnish an ICOM 756 transceiver for the radio for our entry in class 1F. Jim will supply a Cushcraft A3S 3 element yagi for 10-15-20 meters to be mounted on the club's Green Monster portable mast. Jim will also supply a Butternut HB-2V vertical for 40-80 meters. Army will supply a 40M wire dipole, a K1EL Winkeyer, and laptop computer. Logging software will be N3FJP as it is currently used by many other club members. The club will provide an Orange Box with VHF/UHF FM radio and portable VHF antenna.

Setup is planned to begin Saturday morning after breakfast at IHOP. Operators will be

scheduled in one and two hour increments with at least one experienced operator present at all times. Jim is especially interested in making this event available to new hams and even to those not yet licensed. Jim also wants to see our station manned and making contacts for the entire contest period.

We have many opportunities for bonus points during this event. In particular, we will be looking at bonus points for a satellite contact (Ralph?), Public Relations (John MIB?), site visits by city/county officials (Rusty?), Solar power (Army?).

Everyone is asked to review the full rules for Field Day at <http://www.arrl.org/field-day> and see where they can contribute this club effort.

Your comments and questions are welcomed. Please contact Jim at james-moyer@att.net or

Army at
ae5p@suddenlink.net .

UPCOMING EVENTS OF NOTE

Mark your calendars for the following events coming up in the next few months. Full information on these events and much more can be found at <http://www.hornucopia.com/contestcal/contestcal.html>

CQ 160 meter Contest - SSB

Feb 26-28

<http://www.cq160.com/rules.htm>

North American QSO Party - RTTY

Feb 27-28

<http://www.ncjweb.com/NAQP-Rules.pdf>

ARRL International DX Contest - SSB

Mar 5-6

<http://www.arrl.org/arrl-dx>

CQ WW WPX Contest - SSB

Mar 26-27

<http://www.cqwp.com/rules.htm>

CQ WW WPX Contest - CW

May 28-29

<http://www.cqwp.com/rules.htm>

North American SSB Sprint

April 3

<http://ssbsprint.com/rules/>

CQWW WPX Contest - CW

May 28-29

<http://www.cqwp.com/rules.htm>

HAMCOM 2016

June 10-11

<http://www.hamcom.org>

ARRL June VHF

Contest

June 11-12

<http://www.arrl.org/june-vhf>

ARRL Field Day

June 25-26

<http://www.arrl.org/field-day>

Bowtie Antennas

by

Thomas Atchison, W5TV

As I was looking for a topic for the newsletter I ran across a brief discussion concerning bowtie antennas. I remembered that such antennas were used in the early portable TVs and I thought it would be interesting to see how such antennas have been used in the amateur community. This led me to several interesting ideas, some of which I will share with you in this article.

The Bowtie dipole was popular in the early 20th century and was used mostly with the earliest television receivers. These antennas were selected because they are broadband and the TV signals were 3 to 5 MHz wide. In the 1950s there was a popular antenna for 10 meters called the 'Wonder Bar'. It was a bowtie dipole.

The bowtie dipole uses two identical dipoles fed from the same transmission line and arranged to form a 'bowtie' as shown in Fig. 1.

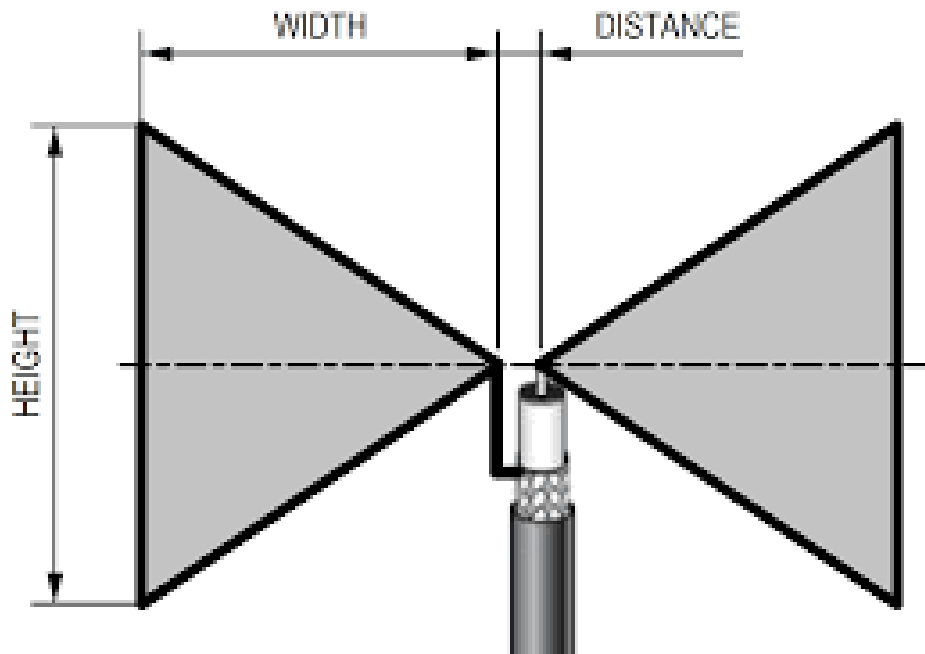


Fig. 1

In the TV antenna design the end wires marked 'HEIGHT' were included. In amateur use I have seen the antenna used both with and without these end wires. It would be interesting to experiment with the antenna both ways. Also, particularly in the UHF range, the two sides of the bowtie are solid metal instead of just a wire form. The two identical dipole elements on each side of the transmission line have the effect of increasing the conductor cross sectional area so that the antenna has a slightly improved length/diameter ratio. This increases the bandwidth of the antenna.

Several articles can be found on the WEB giving information about constructing such antennas. Some of these are as follows:

<http://www.antenna-theory.com/antennas/wideband/bowtie.php>

<http://www.nc4fb.org/wordpress/40-meter-bowtie-antenna/>

<http://www.w3gas.com/BowTieLoopPage.html>

<http://www.hamuniverse.com/20meterwonderbar.html>

You can 'control-click' on any of these and your browser will take you to that web site.

The first article in this list talks about the bowtie antenna making a good starting point for a discussion of a log periodic antenna. Perhaps this would be a good topic for a future article or two for the Newsletter.