

Nacogdoches Amateur Radio Club

2015 CLUB OFFICERS

Pres: John Cechin - W5FWR

Sec/Treas: Army Curtis - AE5P

Visit our web site at

<http://w5nac.com/>

MISSION STATEMENT

The Mission of the Nacogdoches Amateur Radio Club is to support and promote Amateur Radio by public service, offering training to unlicensed interested parties and licensed Amateurs, mutual support of other Amateurs, engaging events that promote Amateur radio to the general public and other Amateur radio operators, and continuing fellowship by regularly scheduled organized meetings and events.



NOVEMBER MINUTES

The November meeting of the Nacogdoches Amateur Radio Club (NARC) was held as scheduled on November 4th. **President John W5FWR**, opened the meeting at 7:00 p.m. in the Parish Hall of Christ Episcopal Church. Fifteen members were present. Each person present introduced himself. Minutes of the previous meeting were approved as published. The Treasurer's report was read.

Old Business:

The CQWW DX SSB contest was held the

weekend of October 24. **Tom W5TV** reported that 10 meters was wide open that weekend. **Don W5COX** reported great band conditions.

Last month, **President John** appointed a nominating committee of **AE5P**, **W5TV** and **KD5GEN** to suggest a slate of club officers for the coming year. The committee reported a slate consisting of **W5FWR** for President and **AE5P** for Secretary/Treasurer. A motion was made and carried to elect the slate as reported.

The project to prepare for a full blown Field Day operation for 2016 is making progress under the direction of **Jim WA5GVQ**. Anyone wishing to assist in this effort is requested to contact **Jim**.

New Business:

Army AE5P announced plans for another club "Special Operating Event" to be held in conjunction with the ARRL VHF contest the weekend of January 30, So far, AE5P, W5TV, WK5F and WA5GVQ have indicated their interest in participating. Nine members participated in the first "Special Operating Event" held in September. All are welcome to participate to whatever degree they are comfortable with.

The 2015 NARC Christmas Party/meeting will be held on our regular meeting night of December 2. We will meet at 6:00 p.m. in our regular meeting place with a pot luck supper followed by our traditional White Elephant Auction. More information can be found in this newsletter. **Members and their families are cordially invited.**

It was noted the club 146.84 repeater is still out of service.

Meeting closed at 7:45 p.m.

MY 2 CENTS FOX WILLY ROGER

DECEMBER 2015:

December is here with Santa measuring your chimney's to see if he can slide down to bring you all the gifts you want, and the bills don't come in till January.

Well I got to do one of my favorite things, light my fireplace; I even got some good oak this year. Well now I am confused about the seasons, I don't know if its winter, summer, spring or fall. I say this for two reasons, the first is the weather, cool, warm, rain, it can't make up its mind, and second is that a single bloom has appeared on a branch of my redbud tree, what going on? My cactus is still standing tall, one nice thing about that cactus is you really want to clean up the dead leaves, if

you can cut them away from the plant; it only takes a very sharp tool and a lot of time.

Does anybody know the latest on Blue Bell ice cream? I understand that Ralph found some on one of his trips and packed his freezer full, I think he is having an open house, so bring your bowl and toppings and enjoy. I also heard that Ralph was going to wrap up some BB ice cream and it is going to be sold at the White Elephant sale, look for the package with frost on it.

The 84 repeater has been fixed, thanks to AE5P and W5TV and others, a report appears later in this newsletter.

This next year promises to bring lots of radio fun, I myself am looking forward to the NPOTA with over 400 station locations, I'm sure to get at least one, with all bands and all modes working it will be fun, so get your radio ready and your best working chair cleaned and enjoy.

Let's not forget the other events too, Field Day, VHF's, SES, and state QSO'S, I don't know if my butt will be able to take it?

I am sure that there will be another balloon project, now the request is that the tracker be made lighter so more payload can be packed top side.
Hammenengeering.

The program:

The program will be "have fun at Xmas party and white elephant sale".

More spaces make for a longer column, "Jack Taldi".

PHASE II.V.V:....

As reported in the last NL, **GRAY BABY** has gone walk-a-bout. And Max was run over, now down to 9 total, I feel like the Agatha Christi book, "Ten Little Indians".

I came up with this plan, I would feed the birds, the cats would eat the birds, the food bill would shrink, so I tossed some grapes

that were in training for the raisin group, and put my plan into action. The next day I went out to check on my plan and found a grape in one of the dinner dishes, no feathers. Next I tossed the trimmings from some pumpkin bread I made and started the plan again, the cats liked the bread and still no feathers. The next thing I tried was some old crackers, the next day, no feathers but this time the crackers were still where I had tossed them, nobody likes crackers. The last thing I tried was popcorn, the next day, no feathers and no popcorn; I don't know what to try next, perhaps a slingshot????

The kittens now know when it's dinner time and stand at the front door and cry, I believe that the kittens think that the one that cries the loudest will get the most food, the squeaky wheel system,

THOUSANDS OF YEARS AGO CATS WERE WORSHIPED AS GODS, THEY HAVE NEVER FORGOTTEN THIS

WHY IS IT?

Those stores require a day off for the people to have a sale "Black Friday" why can't these outfits have the "sale" all year long? Also when gas goes down but the goods in the stores don't, the price hicks were added for the high fuel cost? I ask you? Is Big Ben still in trouble, has anybody heard if the problem is fixed for another 150 years?

GREAT INVENTIONS OF ALL TIME:

The pressure cooker, in my day it was one of those things that you got if you had some extra money, today the people rediscovering that "new" kitchen device, to cook faster and better? Electric knives, what ever happened to the old way, Go figure.

The rain and warm weather confused my redbud tree but not TWT it's still in sleep mode that sounds like a new HAM radio system I wonder if it works on all bands.

It's still Army's, John's, Dr Tom's, and others turn to fill in all the blank spaces.

Remember: keep your powder dry and your head below the horizon.

Happy Trails

73 Enjoy, what do you think, let me know?

John Cechin W5FWR

Carrots4ever2u@suddenlink.net

NOTES FROM OUR EC

I'm writing this Wednesday afternoon the 25th. We have just a few more days left in the 2015 Hurricane season, which ends 30 Nov. The Atlantic season as best as I can decipher had 12 named storms with 3 rated as hurricane (Cat 3+). I guess you could say we were lucky that this season didn't have any major impact on us. Patricia, a Pacific storm, was supposed to have brought a lot of weather,

but that didn't pan out either. We are starting to see some late fall rains that have been heavy (6+ inches) full of wind (there was some straight line winds in Garrison that tore up a chicken farm) and some tornado warnings. And as expected flash flood warnings on the Neches and Angelina rivers. LaNana creek filled up the bottom land by the south loop. Our late season and early winter weather will continue and as Kent reminded us, this season can be as treacherous as the spring and summer.

Weather seems to be the big topic. We have had our first cold snap. How did your heaters smell as the dust was cooked out of them? Bet it had been stagnant for a while, so it was not a pleasant odor.

So, just how prepared are you for the winter season? I purchased new faucet bib covers and will be building some shelters for the outdoor neighborhood cats.

Have you winterized your car? How about your antennas? How are your batteries? Did you change the batteries in your smoke/carbon monoxide detectors? Have you replaced any of those that are between 5 and 10 years old?

The nights are getting longer. MW and lowband DX will be improving. Dial up a long forgotten AM station and see if they are there.

Don't forget our weekly nets. The 146.84 repeater is back in operation. We have been exercising the 147.32 and 444.050 machines pretty hard. Nets meet on Monday and Thursday at 8:00 pm locally (0200 UTC). If you wish to practice receiving with the Fldigi and its variants the VOA has regular SW digital programming on the weekends

Please remember to be safe this time of year as we travel, eat far too much and share the time together. I hope you had

a great Thanksgiving, and Merry Christmas as we enter the Advent season.

73 de John Chapman
KC5MIB
jlchapman2@juno.com

VE TESTING

Our next VE testing is scheduled for Wednesday, December 16 at 7:00 p.m. in the Parish Hall of Christ Episcopal Church. Applicants should bring a picture ID, the original and a copy of their current Amateur license, the original of any CSCE's and \$15 to cover the cost of the exam(s). Correct change is always very much appreciated. 73 de AE5P

email: ae5p@arrl.net

CLUB NETS

Remember to join us each week for the nets sponsored by NARC. Each **MONDAY** is the **NARC ARES/RACES** net, at 8:00 p.m. on the club's 146.84 repeater (PL

141.3). Second, on **THURSDAY** evenings at 8:00 p.m. is the **Deep East Texas Skywarn Emergency Weather Net** on the 147.32 repeater (PL 141.3). Please join us for one or both.

The actual operating frequency for each net is at the discretion of the net control operator. The Monday night nets have been meeting recently on the club 444.050 UHF repeater or the 147.32 VHF repeater. Stay alert to other possibilities such as a simplex frequency or even HF.

NEXT MEETING

The next meeting will be **Wednesday December 2nd** at 6:00 p.m. in the Parish Hall of Christ Episcopal Church. Come join us.

This being December, it will be our monthly meeting and our annual Christmas Party. We begin an hour earlier than normal at 6:00 with a very short business

meeting, followed by a pot luck supper. Everyone is free to bring the food of their choice, be it something home cooked, or store bought. The club will furnish paper goods and eating utensils, along with drinks.

After eating, we will have our annual White Elephant Auction. This year, **Don W5COX** will be our auctioneer. All proceeds from the auction will go to the club.

Thanks to some generous donors, this year will see three very special auction items that because of their value will have a minimum bid. They are:

1. Yaesu FT-817ND with several accessories, all in excellent condition. Minimum bid: \$300.
2. Yaesu VX-2 dual band miniature HT with several accessories, all in excellent condition. Minimum bid \$100.
3. Collins 75S3B HF receiver with matching speaker. Excellent condition. Minimum bid \$500.

There will be many more items for auction as well, depending on what you bring. There are normally several items just for the ladies.

Families are especially welcome to attend.

Bring the dish of your choice; bring a white elephant for auction; bring your family; expect a fun evening.

146.84 REPEATER

Army AE5P and Tom W5TV were able to finally track down the gremlin that was preventing the club 84 repeater from working correctly. The problem turned out to be a shorted coax connector on the coax jumper between the duplexer and the repeater receiver. There are a number of things here that still do not make much sense, but like the old saying goes, "If it ain't broke, don't fix it". Replacing the coax has the repeater working the way it was designed to, so we're going to just sit back and use it.

Tracking this gremlin down has been a real bear, but we are glad to report the repeater is on the air and working just fine.

FREQUENCY MEASURING TEST

Twice a year, the ARRL sponsors a Frequency Measuring Test. One or more stations located in various parts of the country will transmit a steady carrier for two minutes, and the test is to measure the **EXACT** frequency of the carrier. I remember my first HF receiver, a Heathkit AR-3. If you were lucky, you could find the 40 meter ham band, but there was no way you knew what the frequency was. Technology has improved a whole bunch since then. If you can accurately measure the frequency to less than 1 Hz. you win top billing. Oh, did I mention there are two or three different ham bands involved in these tests, and sometimes two or three different ham stations transmitting on each band,

and that Doppler shift can vary the received frequency by several Hertz? Just adds to the challenge.

In the most recent FMT, Army AE5P and Tom W5TV both entered and both were successful in measuring to less than 1 Hz. Not too shabby for a couple of local boys. Of course them having Flex radios certainly doesn't hurt, but it still is a challenge.

Both say they are looking forward to the next FMT. How they do it might just make an interesting program for a future meeting.

UPCOMING EVENTS OF NOTE

Mark your calendars for the following events coming up in the next few months:

CQ Worldwide DX Contest, CW
0000Z, Nov 28 to 2400Z, Nov 29
<http://www.cqww.com/rules.htm>

ARRL 160M Contest, CW
2200Z, Dec 4 to 1600Z, Dec 6, 2015
<http://www.arrl.org/160-meter>

ARRL 10M Contest, CW/SSB
0000Z, Dec 12 to 2400Z, Dec 13
<http://www.arrl.org/10-meter>

ARRL Rookie Roundup CW
1800Z-2359Z, Dec 20, 2015
<http://www.arrl.org/rookie-roundup>

NARC SPECIAL OPERATING EVENT
1900Z Jan 30 - 0359Z Feb 1

SHUTTLE COLUMBIA SPECIAL EVENT STATION K5C
Feb 6 - 7, 2016

ARRL FIELD DAY
June 25 - 26, 2016

DUAL BAND J-POLE

By

Thomas Atchison, W5TV

Since I have been discussing J-Pole antennas in several articles I think one more would be in order. The September 1994 QST, pp. 61-62, has an excellent article about an easy to build dual band J-Pole. The article is authored by Jim Reynante, KD6GLF, and he presents details about the construction. You can locate a copy of his article by using a search on the key words Dual Band J-Pole.

The antenna operates on both 2-meters and 70-cm with a low SWR, it is easy to put up and take down, and it can be built in less than 30 minutes using TV twin lead and coaxial cable. I have included a diagram (Fig. 1) from the article that will provide an idea of how the construction takes place. This diagram is a little fuzzy but it will give you an idea of how the antenna is constructed. You start with about five feet of 300 ohm TV twin lead. You strip off $\frac{1}{2}$ inch of insulation at one end of the twin lead as shown in Fig. 1 and solder these two together to form the bottom of the antenna. Then you move up $1\frac{1}{4}$ inches and remove the insulation from the twin lead to expose $\frac{1}{4}$ inch of wire on both sides. This is where you connect the coaxial feed line.

Now, on one side of the twin lead, measure up $50\frac{5}{16}$ inches from the center of the exposed wire and trim off the twin lead entirely (both conductors). This part of the twin lead forms the radiator. On the opposite side of the twin lead, measure up $16\frac{3}{4}$ inches from the center of the exposed wire and carefully remove a $\frac{1}{4}$ -inch section of insulation **and wire**. This is the $\frac{1}{4}$ -wavelength matching stub.

Next, attach the center conductor of the coaxial feed line (50 ohm) to the longer element of the J-Pole and the shield to the shorter of the two elements. Be sure to water proof the coax. Also, tape the coax to the twin lead to relieve strain on the soldered connection points.

To tune the antenna use an SWR meter and trim both the elements for minimum SWR on both bands.

I urge you to refer to the original article for more detailed information.

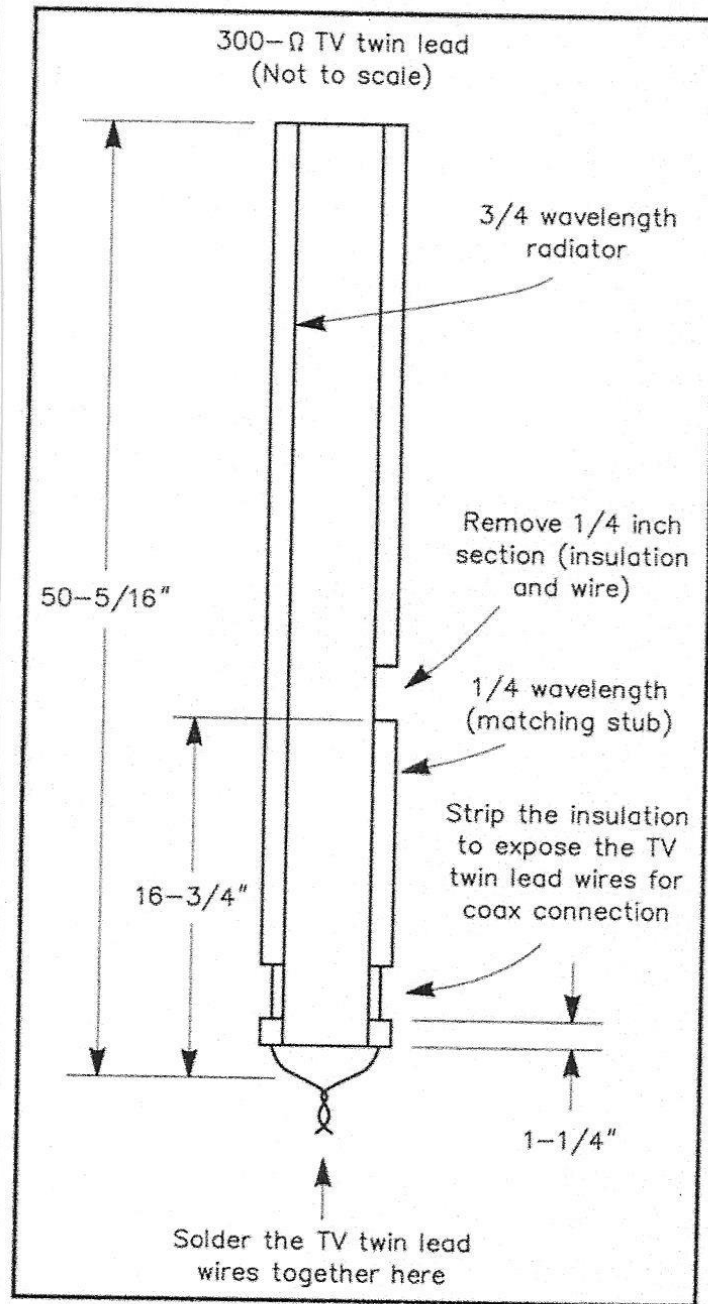


Fig. 1

Finally, you can roll this antenna up for easy storage or for transporting. It can be hung in a tree for portable operation. If you want a more permanent installation you should choose a location that isn't close to a tower or other conducting material since nearby conductors will affect the SWR and the antenna pattern.

A DOCTOR SUESS POEM JUST FOR FUN

Read this out loud, at a fast pace. Don't try to make sense of the words. They don't make sense. But the rhythm is fantastic, if you remember the Dr. Suess books.

If a packet hits a pocket on a socket on a port,
And the bus is interrupted as a very last resort,
And the address of the memory makes your floppy disk abort,
Then the socket packet pocket has an error to report...

If your cursor finds a menu item followed by a dash,
And the double-clicking icon puts your window in the trash,
And your data is corrupted 'cause the index doesn't hash,
Then your situation's hopeless and your system's going to crash!

If the label on the cable on the table at your house,
Says the network is connected to the button on your mouse,
But your packets want to tunnel on another protocol,
That's repeatedly rejected by the printer down the hall,

And your screen is all distorted by the side effects of gauss,
So your icons in the window are as wavy as a souse,
Then you may as well reboot and go out with a bang,
'Cause as sure as I'm a poet, the sucker's gonna hang!

When the copy of your floppy's getting sloppy on the disk,
And the microcode instructions cause unnecessary risk,
Then you have to flash your memory and you'll want to RAM your ROM...
Quickly turn off your computer and be sure to tell your mom.