

Nacogdoches Amateur Radio Club

2015 CLUB OFFICERS

Pres: John Cechin - W5FWR

Sec/Treas: Army Curtis - AE5P

Visit our web site at

<http://w5nac.com/>

MISSION STATEMENT

The Mission of the Nacogdoches Amateur Radio Club is to support and promote Amateur Radio by public service, offering training to unlicensed interested parties and licensed Amateurs, mutual support of other Amateurs, engaging events that promote Amateur radio to the general public and other Amateur radio operators, and continuing fellowship by regularly scheduled organized meetings and events.



OCTOBER MINUTES

The October meeting of the Nacogdoches Amateur Radio Club (NARC) was held as scheduled on October 7th. **President John W5FWR**, opened the meeting at 7:00 p.m. in the Parish Hall of Christ Episcopal Church. Ten members were present. Each person present introduced himself. Minutes of the previous meeting were approved as published. The Treasurer's report was read.

Old Business:

Thanks in large part to the recent licensing class taught by **Jerry K5JLW**,

we had 7 people present themselves for testing at our September VE testing session. This was one of the largest groups we have had for some time now.

President John appointed a nominating committee of **AE5P, W5TV** and **KD5GEN** to suggest a slate of club officers for the coming year. The committee will report back to the club at the November meeting.

The project to prepare for a full blown Field Day operation for 2016 is making progress under the direction of **Jim WA5GVQ**. Anyone wishing to assist in this effort is requested to contact Jim.

New Business:

Army **AE5P** announced plans for another club "Special Operating Event" to be held in conjunction

with the ARRL VHF contest the weekend of January 30, So far, **AE5P**, **W5TV**, **WK5F** and **WA5GVQ** have indicated their interest in participating. Nine members participated in the first "Special Operating Event" held in September. All are welcome to participate to whatever degree they are comfortable with.

The 2015 NARC Christmas Party/meeting will be held on our regular meeting night of December 2. We will meet at 6:00 p.m. in our regular meeting place with a pot luck supper followed by our traditional White Elephant Auction. Members and their families are cordially invited.

Meeting closed at 7:50 p.m.

Special Presentations: **Army AE5P** presented some very nice shirts received from Yaesu after the purchase of two new repeaters earlier in the year. Shirts were presented first to those

who have helped with the repeaters, and secondly to those who participated in the club's Special Operating Event.

Program: Army AE5P made a presentation on the just completed Timpson ISD balloon flight. The balloon achieved an altitude of just over 94,000 feet before a beautiful parachute descent just off I-49 in central Louisiana. A special treat was actually watching the final descent before the package landed just a few hundred feet away from the NARC trackers and the Timpson ISD chasers. We also had two Louisiana State Troopers on hand for the landing. A great flight!

MY 2 CENTS FOX WILLY ROGER

NOVEMBER 2015:

November is here and as I reported last time that fall was upon us, even more leaves are now on the ground, which means fall. At the last meeting I appointed a committee to search for the next club officers, don't hide, step up to the plate.

AE5P reported on how to change his truck tire and to replace the tire and tools back in a hidden passage, or where the dealer showed. Well now that Army's truck has had a flat tire and has gotten dirty, it's time for a new truck.

At the next meeting, Army will hit on some high lights of ballooning and how he plans to be a passenger on the next flight. The January VHF fun run will also be talked about.

Don't forget the Christmas party next month, and bring lots of good stuff for the white elephant. I

have many doctors' appointments that day in Houston and I am not sure if I will be back in time for the party. Such is life in the fast lane, so have fun-drink much and forget your problems.

It's almost time to start the fire place and enjoy. The leaves continue to fall and now the time has fallen, I can't understand any of this. Has anyone gotten some Blue Bell ice cream and is not sharing? Only one person came to the October meeting in costume. I am not going to say who the HAM was but FWR looked great. Now is the time to redeem yourselves, December will be dress up night, come as Santa, MS Santa, Elf's even Reindeers, Army will give a prize for the best outfit, and remember enter the hall singing "WE THREE KINGS", and fun was had by all.

The program:

The program will be how to have fun at Xmas parties and my vacation, presented by AE5P

Also Dr. Tom will show "how to decorate your antenna and tower.

Is the 84 repeater sick or well or just hanging on that is a question that on everybody's mind does anyone has the answer? Maybe we should just shoot it and put it out of AE5P's misery? That's the next quiz, is it the radio, or the antenna, or is it the coax, maybe its RF from the other equipment, for the answer and other questions on life, contact AE5P.

More spaces make for a longer column, "Jack Taldi".

PHASE II.V.V:....

As reported in the last NL, **GRAY BABY** has gone walk-a-bout. Having said that, Visitor has a new litter of kittens, four that I can see, three striped and one black, I saw them when they were checking out my back yard, so now that's eight outside and two inside.

THOUSANDS OF YEARS AGO CATS WERE WORSHIPED AS GODS, THEY HAVE NEVER FORGOTTEN THIS

WHY IS IT?

The government, in all its wisdom, has decided not to give me a cost of living increase; I would like to see these millionaires live on what I am living on. They say that gas is so low now that everything is more affordable, so no increase is needed. Have you checked out the cost of food these days? Eggs, \$3 per DZ, and how much does the chicken get of that, I ask you?

I heard that Big Ben is in trouble, seems like its bearings are shot, can't anybody get it right, it's only 150+ years old.

HMMMM

GREAT INVENTIONS OF ALL TIME:

The "nonstick frying pan" remember when it was first introduced? Later it was announced that the coating was coming off and it could be harmful to your health, only after the

announcement that people were sick. Go figure. The painted strips on the streets, how else are you to tell where to drive, except in Great Britain?

The rain at my house and yard has been quite good, but I am sorry to say, not in time to save TWT from going to sleep, I guess we will have to wait until next spring to see what blooms.

It's still Army's, John's, Dr Tom's, and others turn to fill in all the blank spaces.

Remember: keep your powder dry and your head below the horizon.

Happy Trails

73 Enjoy, what do you think, let me know?

John Cechin W5FWR
Carrots4ever2u@suddenlink.net

NOTES FROM OUR EC

Thanks to everyone that participated in the Piney Woods Purgatory. We only had a couple of incidents and everything was handled easily. I had a couple of procedural suggestions to Megan for the next year. This is an event that requires a lot of support. Next year may be a bit more challenging, as Lufkin is trying to make this a points race under the auspices of USA Cycling. Again, thank you to everyone who came out. Hope my name gets pulled by the Alto Lions Club for the Yeti cooler.

Hurricane season 2015 is almost done, we have about another month (30 Nov) and then we can call it done. Thankfully it has been a quiet season. We did get some rain thanks to Patricia, which was sorely needed. Knock on wood the season will remain quiet. Keep your eye on hamlist, if the IARU or ARRL ask for frequencies to be cleared

for emergencies and other information.

It was nice to get some rain around here. I'm sure Bastrop was happy to see it, too. I heard they had a lot of the fires contained but every little bit makes the firefighters jobs easier. We had a number of flash flood warnings around the state, a bunch of events that weekend for delayed, or modified (rumor only but I think Lufkin won their football game on a coin flip). IH 45 at Corsicana was closed for a while due to the flooding. Some of my acquaintance got that far and could not continue home and had to return back to Houston. Which brings up a question, do you know how to get from point A (say your house) to point B via another route, how many alternate routes can you travel, say without using North/South street or University?

USAF and Army MARS will be holding an exercise on the ham bands 7-10 November. This is one of their quarterly exercises

and it's based around a BIG CME which might damage electrical power networks. Thanks Robert for passing that list over to Hamlist. There were times given but no frequencies. If you hear a MARS operator during your HF excursions, contact them and give them a report.

Don't forget our twice weekly nets, Mondays and Thursdays at 8:00pm local. Thanks to everyone that participates.

73 de John Chapman
KC5MIB
jlchapman2@juno.com

VE TESTING

Our next VE testing is scheduled for Wednesday, November 18 at 7:00 p.m. in the Parish Hall of Christ Episcopal Church. Applicants should bring a picture ID, the original and a copy of their current Amateur license, the original of any CSCE's and \$15 to cover the cost of the exam(s). Correct

change is always very much appreciated. 73 de AE5P

email: ae5p@arrl.net

CLUB NETS

Remember to join us each week for the nets sponsored by NARC. Each **MONDAY** is the **NARC ARES/RACES** net, at 8:00 p.m. on the club's 146.84 repeater (PL 141.3). Second, on **THURSDAY** evenings at 8:00 p.m. is the **Deep East Texas Skywarn Emergency Weather Net** on the 147.32 repeater (PL 141.3). Please join us for one or both.

The actual operating frequency for each net is at the discretion of the net control operator. The Monday night nets have been meeting recently on the club 444.050 UHF repeater or the 147.32 VHF repeater. Stay alert to other possibilities such as a simplex frequency or even HF.

NEXT MEETING

The next meeting will be **Wednesday November 4th** at 7:00 p.m. in the Parish Hall of Christ Episcopal Church. Come join us.

Will Wilber - SK

Martin "Will" Wilber KI5KO passed away peacefully Wednesday at his home in Nacogdoches, with Becky, his wife of almost 40 years at his side. Will has been associated with NARC for many years and got a lot of enjoyment from Amateur Radio. Will was a very nice person and will be missed by those who knew him.

UPCOMING EVENTS OF NOTE

Mark your calendars for the following events coming up in the next few months:

ARRL Sweepstakes Contest, CW
2100Z, Nov 7 to 0300Z, Nov 9
<http://www.arrl.org/sweepstakes>

ARRL Sweepstakes Contest, SSB
2100Z, Nov 21 to 0300Z, Nov 23
<http://www.arrl.org/sweepstakes>

CQ Worldwide DX Contest, CW
0000Z, Nov 28 to 2400Z, Nov 29
<http://www.cqww.com/rules.htm>

ARRL 160M Contest, CW
2200Z, Dec 4 to 1600Z, Dec 6, 2015
<http://www.arrl.org/160-meter>

[meter](http://www.arrl.org/160-meter)

ARRL 10M Contest, CW/SSB
0000Z, Dec 12 to 2400Z, Dec 13
<http://www.arrl.org/10-meter>

ARRL Rookie Roundup CW
1800Z-2359Z, Dec 20, 2015
<http://www.arrl.org/rookie-roundup>

NARC SPECIAL OPERATING EVENT
1900Z Jan 30 - 0359Z Feb 1

SHUTTLE COLUMBIA SPECIAL EVENT STATION K5C
Feb 6 - 7, 2016

ARRL FIELD DAY
June 25 - 26, 2016

A 2-METER J-POLE

By

Thomas Atchison, W5TV

This note is based on an excellent article by Dan Richardson, K6MHE, entitled "The J-Pole Revisited". The article was first published in *CQ Magazine* in March 1998, pp. 34-41. I will briefly discuss some of the highlights of this article. If you are interested, I urge you to acquire a copy of the article since it has many construction details that will help you build this antenna. You should find an electronic copy of this article by using a Google search with key words 'The J-Pole Revisited'. Army Curtis, AE5P, and I built this antenna and both of us are currently using them on 2 meters.

The construction technique is a slightly modified plumbers delight. The antenna is built using common copper tubing that can be obtained from a local building supply store.

The construction technique departs from the usual plumbers delight technique because of the use of PVC pipe fittings on some of the antenna. These PVC fittings serve to insulate the antenna from the mast and to provide a coil form for a coaxial common mode choke. More will be said about this later.

Recall that a simple J-Pole is based on the assumption that the top $\frac{1}{2}$ -wavelength section is the radiation portion of the antenna and the lower $\frac{1}{4}$ -wavelength stub is used for matching (Fig. 1).

Simple J-pole

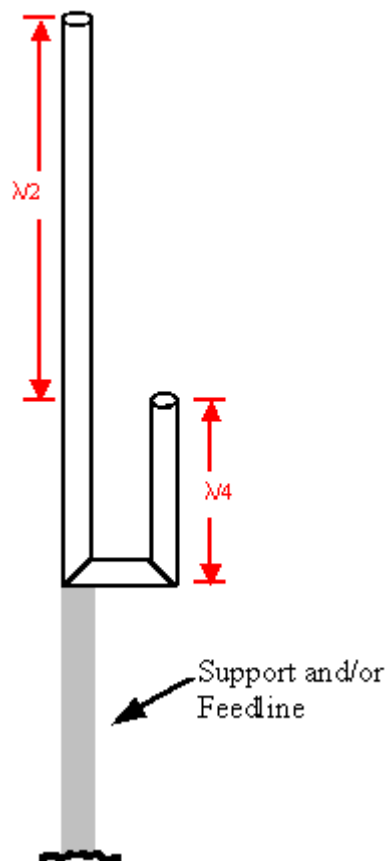


Fig. 1

In the following I will be discussing some of the construction process. To facilitate this discussion I have included two scans of JPEG files. The file that is labeled Fig. 6 is an exploded view of the antenna. The file labeled Fig. 7 is a diagram of the completed antenna. Both of these figures were taken from the original article by Dan Richardson, therefore, they have the figure labels that he used.

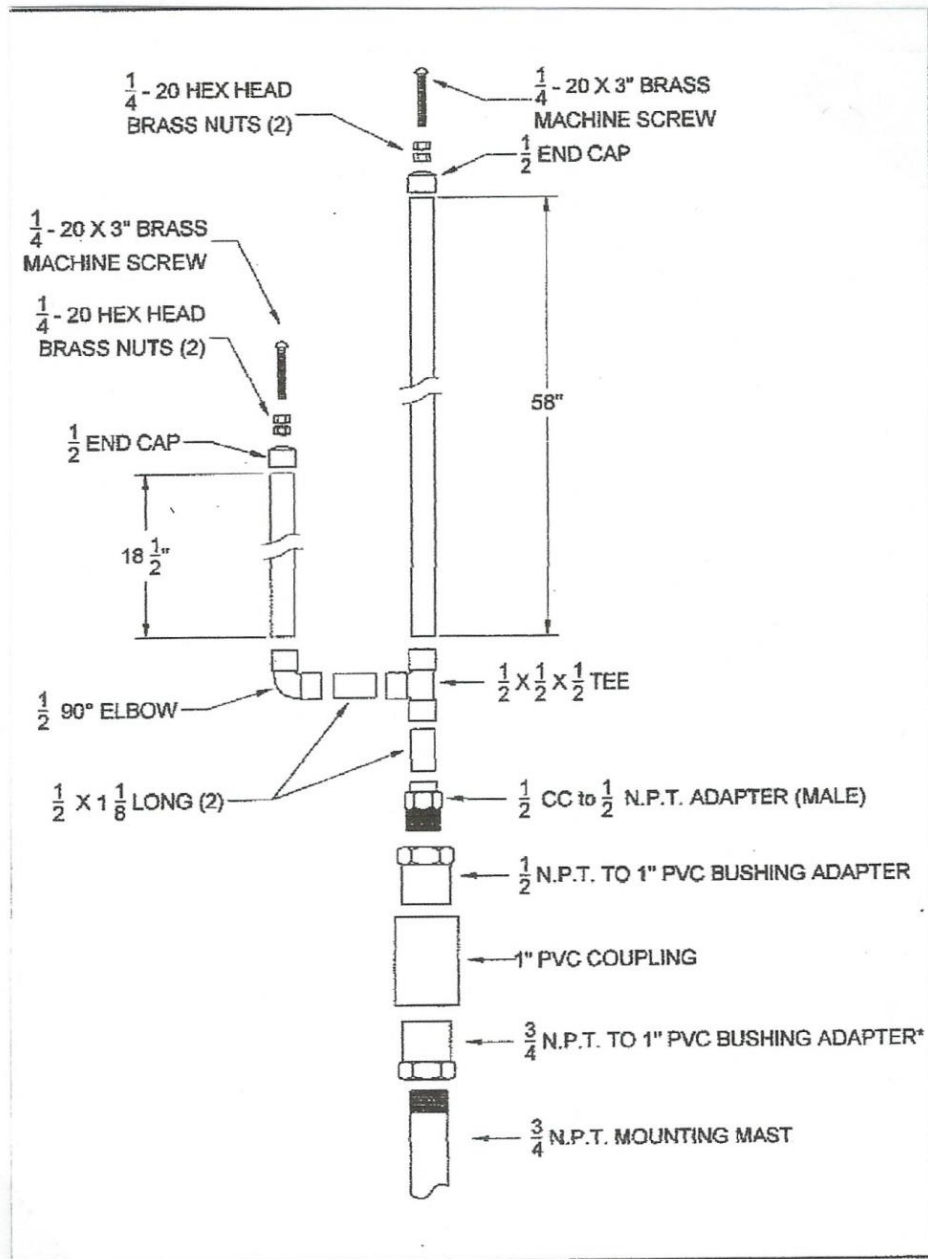


Fig. 6- Parts assembly and dimensions for a 2 meter J-pole.

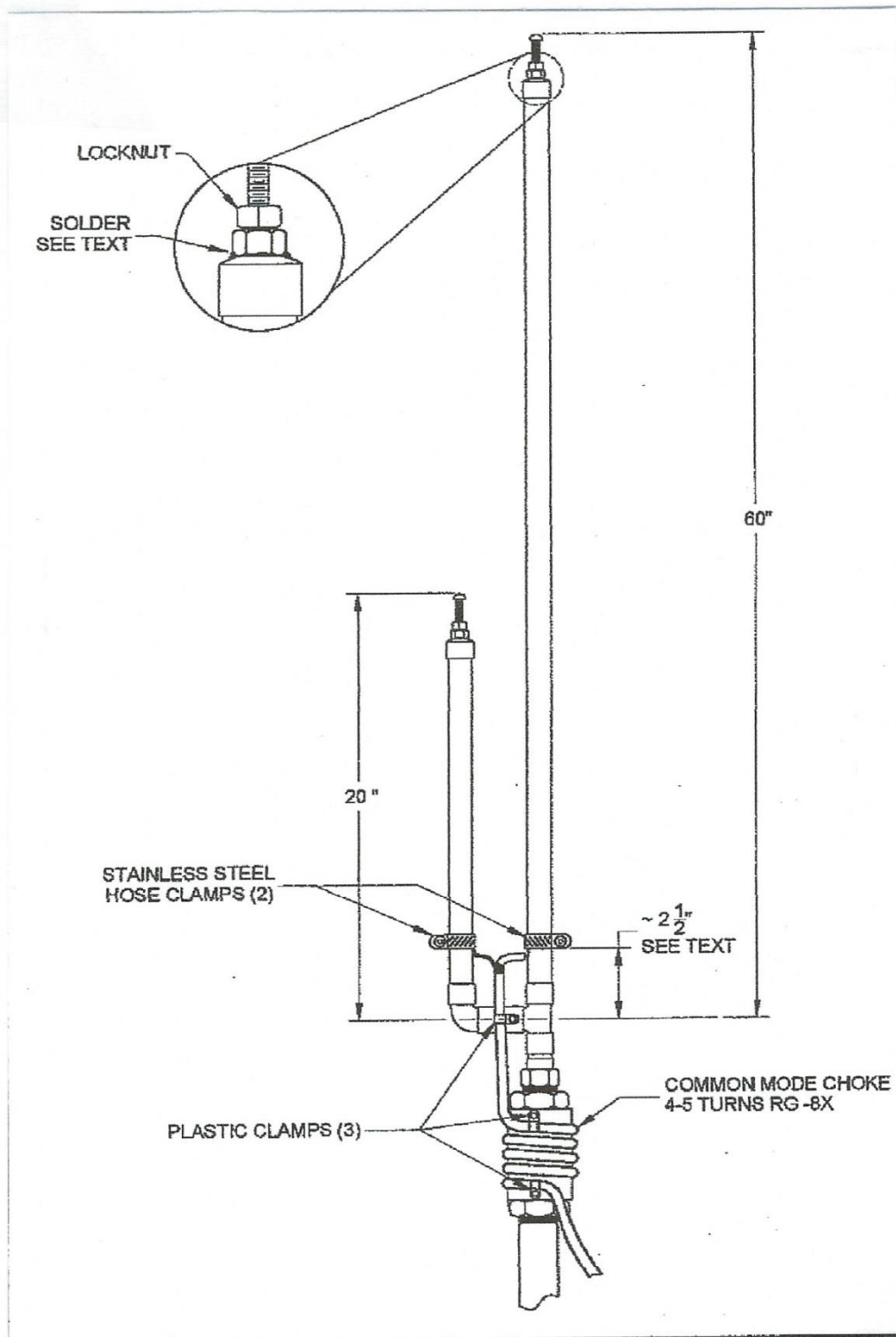


Fig. 7- The assembled J-pole with a common mode current choke formed using the coax transmission line.

The screws that are mounted on top of the main radiator and the matching stub as shown in the above pictures are used to 'fine tune' the antenna to the lowest SWR on your frequency of interest. The antenna could be mounted directly on a conductive mast because the base is at ground potential, however, the common mode current on the coax transmission line results in a much higher proportion of the signal being radiated at a high angle. By using PVC at the base as shown in Fig. 7, we provide insulation from the conductive mast. Also, the coax can be wound around the PVC 4 or 5 turns to create a series inductive reactance that will reduce the common mode current in the transmission line.

At my QTH I used two 10 foot pieces of pipe for the mast and I mounted the J-Pole at the top of the mast as described above. Of course you will need to select your mounting bushings to fit the mast you plan to use.

You may use an antenna analyzer to set the SWR where you want it or you can use an SWR bridge. My antenna has been in service for several years and it continues to perform very well. If you need a good 2 meter antenna I urge you to consider constructing this J-Pole.